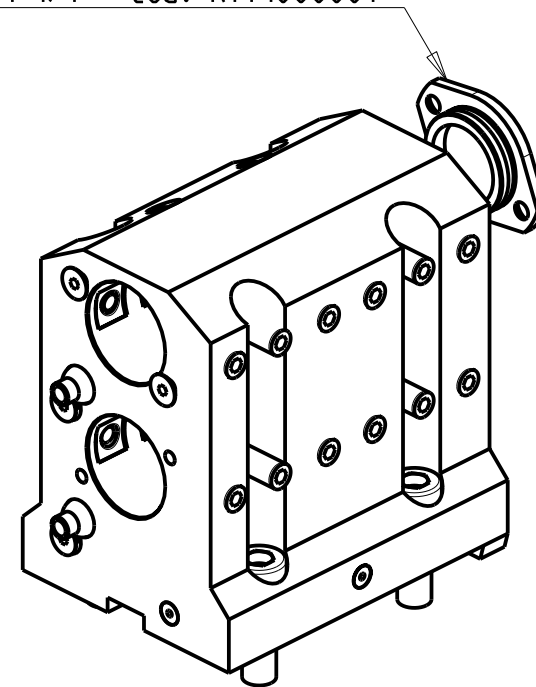


KIT ADDUZIONE INTERNA (OPZIONALE)
 KIT FOR INTERNAL COOLANT (OPTIONAL)
 KIT FUER INTERNE KUEHLMITTELZUFUHR (OPTIONAL)
 Ø20-3/4" cod. KIT1000005
 Ø25-1" cod. KIT1000006
 Ø32-1 1/4" cod. KIT1000001



PER BOCCOLE DI RIDUZIONE VEDI PAG. TBL150-1-00
 FOR REDUCING BUSHINGS SEE PAGE TBL150-1-00
 FÜR REDUZIERBUCHSE SIEHE SEITE TBL150-1-00

| Cod. MT | N°Utensili N°Tools N°Werkzeuge | Reversibile lato mandrino/controlmandrino Reversible sub/main spindle side Umkehrbare Spindel-seite/ Gegenspindel-seite | Lubrificazione int. opzionale Coolant through optional Innenkühlung Optional | Lubrificazione est. Ext. coolant Aussenkühlung | Misure Dimensions Masse | D | B |
|------------|--------------------------------------|--|---|--|-------------------------------|--------|----|
| DW00092000 | 2 | X | X | X | mm | 20 | 62 |
| DW00091905 | 2 | X | X | X | Inch | 3/4" | 62 |
| DW00092500 | 2 | X | X | X | mm | 25 | 70 |
| DW00092540 | 2 | X | X | X | Inch | 1" | 70 |
| DW00093175 | 2 | X | X | X | Inch | 1 1/4" | 70 |
| DW00093200 | 2 | X | X | X | mm | 32 | 70 |

YCM

NT2000 16 STAZIONI

PORTAUTENSILE ASSIALE PER BARENO 2 POSIZIONI Ø20mm / Ø3/4" / Ø25mm / Ø1" / Ø1 1/4" / Ø32mm
 Axial double boring bar holder Ø20mm / Ø3/4" / Ø25mm / Ø1" / Ø1 1/4" / Ø32mm
 Axial Bohrhälter 2 Positionen Ø20mm / Ø3/4" / Ø25mm / Ø1" / Ø1 1/4" / Ø32mm

Subject to change without notice.

M.T. srl

Via Casino Albini 480
 Tel. 0541/956034-957884
 Fax 0541/956341
 47842 S. GIOVANNI IN M. (RN)
 e-mail: mtma@mtmarchetti.com
 http://www.mtmarchetti.com

PRODUZIONE MODULI ROTANTI



PAGINA YCM862-1-00

03/2018