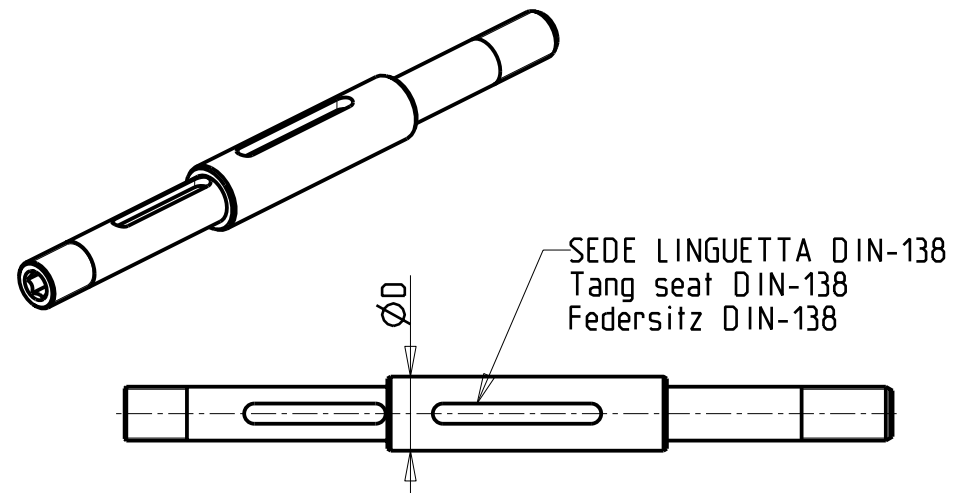
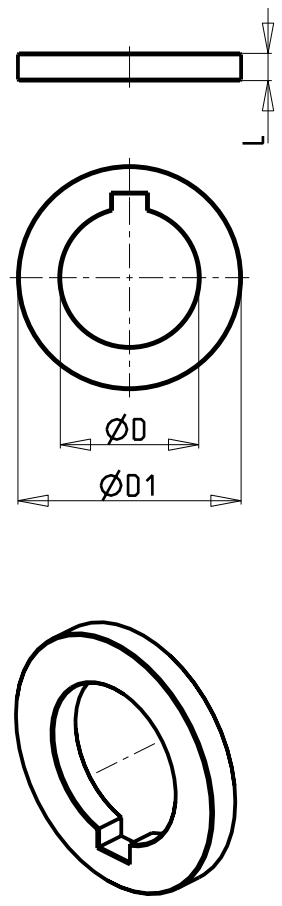


COD. MT	D	D1	L
DIST_D16_L2	16	27	2
DIST_D16_L5	16	27	5
DIST_D16_L10	16	27	10
DIST_D16_L20	16	27	20
DIST_D22_L2	22	34	2
DIST_D22_L5	22	34	5
DIST_D22_L10	22	34	10
DIST_D22_L20	22	34	20
DIST_D27_L2	27	41	2
DIST_D27_L5	27	41	5
DIST_D27_L10	27	41	10
DIST_D27_L20	27	41	20
DIST_D32_L2	32	47	2
DIST_D32_L3	32	47	3
DIST_D32_L5	32	47	5
DIST_D32_L10	32	47	10
DIST_D1905_L2	3/4"	34	2
DIST_D1905_L5	3/4"	34	5
DIST_D1905_L10	3/4"	34	10
DIST_D1905_L20	3/4"	34	20
DIST_D2540_L2	1"	41	2
DIST_D2540_L5	1"	41	5
DIST_D2540_L10	1"	41	10
DIST_D2540_L20	1"	41	20
DIST_D3175_L2	1-1/4"	47	2
DIST_D3175_L5	1-1/4"	47	5
DIST_D3175_L10	1-1/4"	47	10
DIST_D3175_L20	1-1/4"	47	20
DIST_D3810_L2	1-1/2"	54	2
DIST_D3810_L5	1-1/2"	54	5
DIST_D3810_L10	1-1/2"	54	10
DIST_D3810_L20	1-1/2"	54	20



PORTACREATORE STANDARD Driven gear hobber Zahnradwaelzfraes-Werkzeug	
COD. MT	D
0100106	16
0100105	22
0100104	27
0100107	32
0100108	3/4"
0100109	1"
0100110	1 1/4"

PORTACREATORE MAGGIORATO Reinforced driven gear hobber Vergroesserter Zahnradwaelzfraes-Werkzeug	
COD. MT	D
MNL0410030	16
MNL0410004	22
MNL0410005	27
MNL0410006	32
MNL0410031	3/4"
MNL0410027	1"
MNL0410032	1 1/4"

PORTACREATORE TAGLIA GRANDE Driven gear hobber (big size) Zahnradwaelzfraes-Werkzeug (grosse version)	
COD. MT	D
DW00810025	22
DW00810026	27
DW00810027	32
DW00810029	1"
DW00810030	1 1/4"
DW00810031	1 1/2"

TABELLE

TABELLE DISTANZIALI E ALBERI PER PORTACREATORE
Shaft and spacer for driven gear hobber charts
Dorne und Abstandsstuecke Tabelle fuer Zahnradwaelzfraeser

Subject to change without notice.

M.T. srl
Via Casino Albini 480
Tel. 0541/956034-957884
Fax 0541/956341
47842 S. GIOVANNI IN M. (RN)
e-mail: mtma@mtmarchetti.com
http://www.mtmarchetti.com



TBL250-1-00