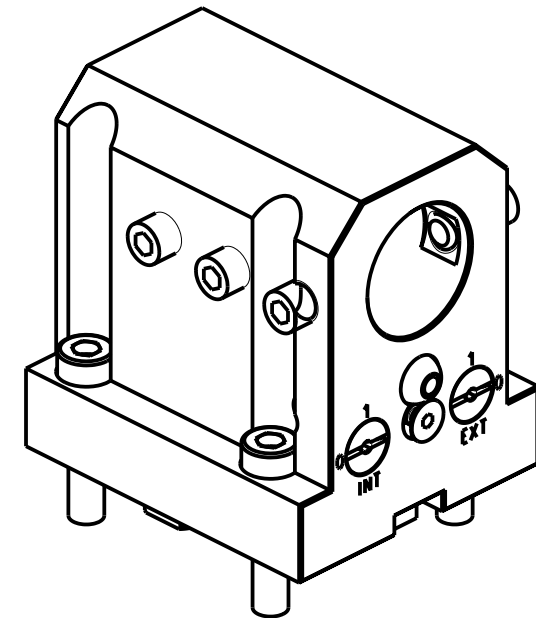


KIT ADDUZIONE INTERNA (OPZIONALE)
 KIT FOR INTERNAL COOLANT (OPTIONAL)
 KIT FÜR INTERNE KUEHLMITTELZUFUHR (OPTIONAL)
 Ø32-Ø1 1/4" KIT1000001



PER BOCCOLE DI RIDUZIONE VEDI PAG. TBL150-1-00
 FOR REDUCING BUSHINGS SEE PAGE TBL150-1-00
 FÜR REDUZIERBUCHSE SIEHE SEITE TBL150-1-00

Cod. MT	N°Utensili N°Tools N°Werkzeuge	Reversibile lato mandrino/contromandrino Reversible sub/main spindle side Umkehrbare Spindel-seite/ Gegenspindel-seite	Lubrificazione int. opzionale Coolant through optional Innenkuehlung Optional	Lubrificazione est. Ext. coolant Aussenkuehlung	Misure Dimensions Masse	D
DW00293200	1	X	X	X	mm	32
DW00293175	1	X	X	X	Inch	1 1/4"

HYUNDAI-WIA (KIA)

MOD: SE2200 M/LM/LMS/MA/LMA/LMSA/LMC/LMSC/Y/LY/LSY/YA/LYA/LSYA

PORTAUTENSILE ASSIALE PER BARENO Ø32mm / Ø1 1/4" H=65mm

Axial single boring bar holder Ø32mm / Ø1 1/4" H=65mm

Axial Bohrhälter Ø32mm / Ø1 1/4" H=65mm

Subject to change without notice.

M.T. srl

Via Casino Albini 480
 Tel. 0541/956034-957884
 Fax 0541/956341
 47842 S. GIOVANNI IN M. (RN)
 e-mail: mtma@mtmarchetti.com
 http://www.mtmarchetti.com



KIA650-7-10