


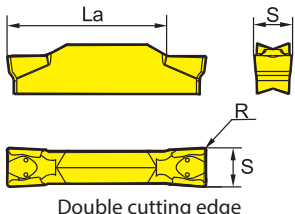



















A

Turning

Parting inserts

-  Ideal machining conditions
-  Normal machining conditions
-  Unfavourable machining conditions

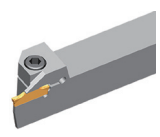
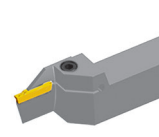
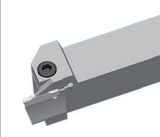
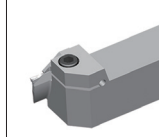
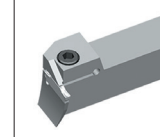
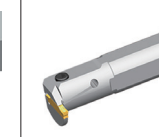
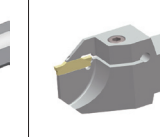
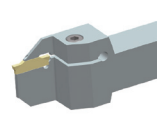
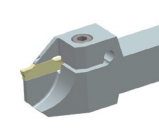
Parting & grooving insert (double sided)						HC ¹ (CVD)		HC ¹ (PVD)			HW				
 <p>Double cutting edge</p>	P	 						   							
	M							   							
	K														
	N										 				
	S								   						
	H														
ISO	R±0.1	La max	S±0.10	f	YBC252	YBC251		YBG105	YBG102	YB9320	YBG205	YBG202	YBG302	YD101	YD201
	ZTED02503-MG		17	2.5	0,03-0,11							○ ●			
	ZTFD0303-MG		17	3	0,04-0,14				○		● ● ●				
	ZTGD0402-MG		22	4	0,07-0,2										
	ZTGD0404-MG		22	4	0,07-0,2	●						● ○ ●			●
	ZTHD0504-MG		22	5	0,10-0,25							● ○ ●			
	ZTKD0604-MG		22	6	0,13-0,30					○ ●					
	ZTKD0608-MG		22	6	0,13-0,30					○ ●		○ ●			

● Ex stock ○ On demand

HC¹ Coated carbide
HW Uncoated carbide

C

Drilling

Tool holders						
QE*D*R/L	QF*D*R/L-H	QF*D*RR-H	QF*D*LL-H	QF*D*R/L-L	C***-Q*DR/L	QE*D*R/L-DGC
						
A425	A434	A436	A436	A439	A444	A446
QE*D*R/L-DGSC	QE*D*R/L-SC					
						
A448	A449					

D

Technical Information

E

Index

System code > A398

Grade selection > A394

Technical info > A501

Cutting data > A456

A

Grooving

MM P M K S

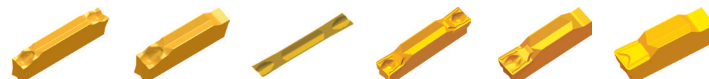


Turning

Sintered chip breaker with straight cutting edge for general machining of steel, stainless steel, cast iron and difficult-to-machine materials. Can be used for grooving, turning and parting off.

B

MG P M K S



Milling

Sintered chip breaker for general machining of steel, stainless steel, cast iron and difficult-to-machine materials. Can be used for grooving, turning and parting off.

C

MG P M K S



Drilling

Universal chip breaker with round profile for general machining of steel, stainless steel and cast iron. Suitable for grooving and profiling.

D

EG M P S



Technical Information

Ground precision chip breaker for grooving and turning applications. Suitable for machining of stainless steel. E-tolerance for high repeatability.

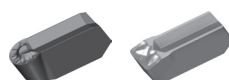
EG M P S



Ground precision chip breaker with round profile for grooving and turning applications. Suitable for machining of stainless steel. E-tolerance for high repeatability.

E

NM S



Index

Special chip breaker for machining of heat-resistant materials.

A Turning
B Milling
C Drilling
D Technical Information
E Index

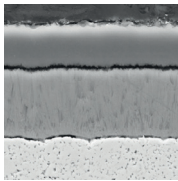
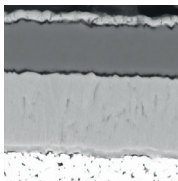
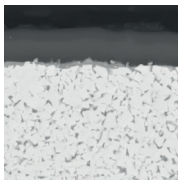
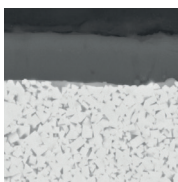
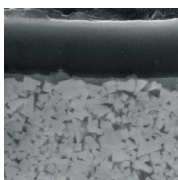
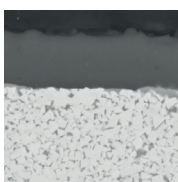
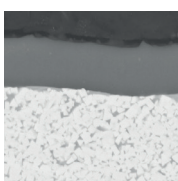
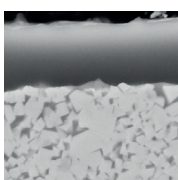
Chip breaker	Application	P	M	K	N	S	H	Feed	Cutting edge design
ZT****-MM	Parting & grooving ✓	✓	✓	✓	✓	✓	✓		
	Turning ✓								
ZP****-MG	Parting & grooving ✓	✓	✓	✓	✓	✓	✓		
	Turning -								
ZT****-MG	Parting & grooving ✓	✓	✓	✓	✓	✓	✓		
	Turning ✓								
ZR****-MG	Parting & grooving ✓	✓	✓	✓	✓	✓	✓		
	Turning ✓								
ZT****-EG	Parting & grooving ✓	✓	✓	✓	✓	✓	✓		
	Turning ✓								
ZR****-EG	Parting & grooving ✓	✓	✓	✓	✓	✓	✓		
	Turning ✓								
ZI****-NM	Parting & grooving ✓	✓	✓	✓	✓	✓	✓		
	Turning ✓								

✓ Very suitable ✓ Suitable

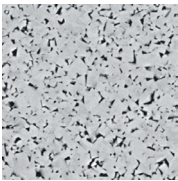
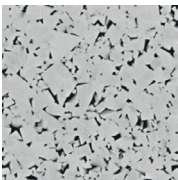
■ Parting & grooving
■ Turning

A	Turning	Parting & grooving
B	Milling	Parting & grooving
C	Drilling	Parting & grooving
D	Technical Information	Parting & grooving
E	Index	Parting & grooving

Parting & grooving

Grade	ISO	Micro structure	Grade description
YBC252	P20 - P35		CVD coated P20–P35 carbide grade for medium operation to roughing of steel and casting steel. Optimal performance of wear resistance and toughness for a wide application field.
YBC251	P20 - P35		CVD coated P20–P35 carbide grade for medium operation to roughing of steel and casting steel in lower cutting speed.
YBG105	S05 - S20		PVD multilayer coated S05–S20 carbide substrate for finishing to medium application of super alloy material but also stainless steel. Good wear resistance and thermal stability in a wide application field.
YBG102	S05 - S15		PVD coated S05–S15 carbide substrate for finishing to medium application of super alloy material, stainless steel and aluminum. Good wear resistance in a wide application field.
YB9320	P10 - P30 M10 - M25		PVD multilayer coated P10–P30/M10–M25 carbide substrate for finishing to medium machining of stainless steel, super alloys and steel (grooving/milling). Optimised coating stability for higher wear resistance and thermal stability in a wide range of applications.
YBG205	P10 - P30 M20 - M40 S15-S25		PVD multilayer coated P10–P30/M20–M40/S15–S25 carbide substrate for finishing to medium machining of stainless steel, super alloys and steel (milling). Excellent wear resistance and thermal stability in a wide range of applications.
YBG202	P10 - P30 M10 - M25		PVD coated P10–P30/M10–M25 carbide substrate for finishing to medium application of stainless steel and steel (milling). Good wear resistance in a wide application field.
YBG302	P15 - P30 M25 - M40		PVD coated P15–P30/M25–M40 carbide substrate for medium roughing application of stainless steel and steel (milling). Good wear resistance and toughness.

Parting & grooving

Grade	ISO	Micro structure	Grade description
YD101	K05 - K20 N05 - N20		Uncoated K05–K20/N05–N20 carbide substrate for fine to medium application in aluminum and other material.
YD201	K10 - K30 N10 - N30		Uncoated K10–K30/N10–N30 carbide substrate for medium application in aluminum and other material.

A

Turning

B

Milling

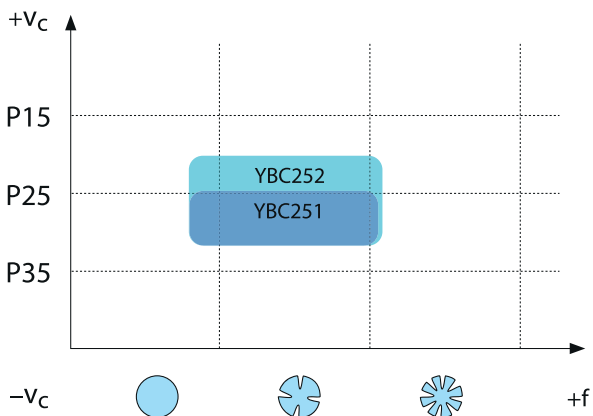
C

Drilling

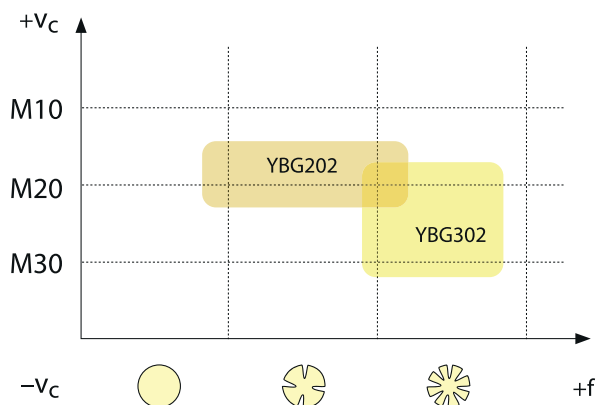
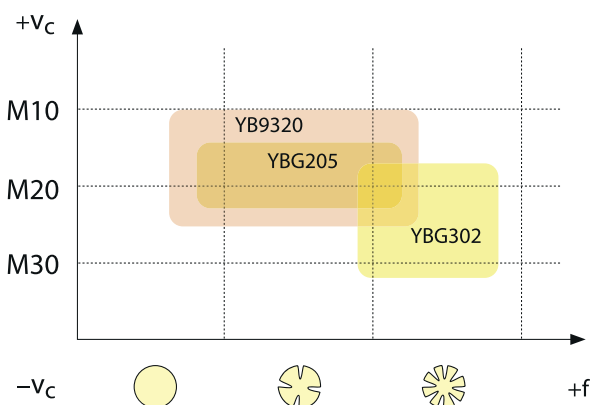
DTechnical
Information**E**

Index

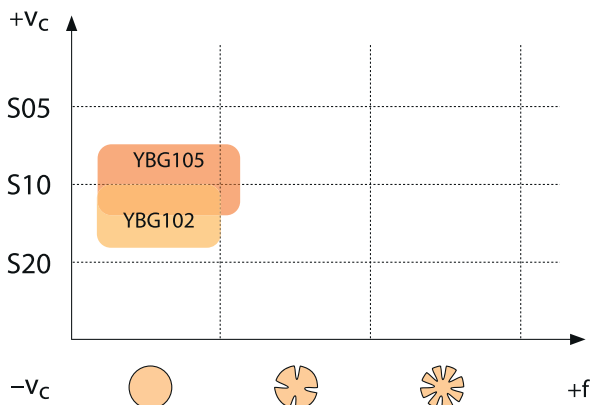
CVD coated carbide grades for steel



PVD coated carbide grades for stainless steel



PVD coated carbide grades for superalloys



A

Turning

B

Milling

C

Drilling

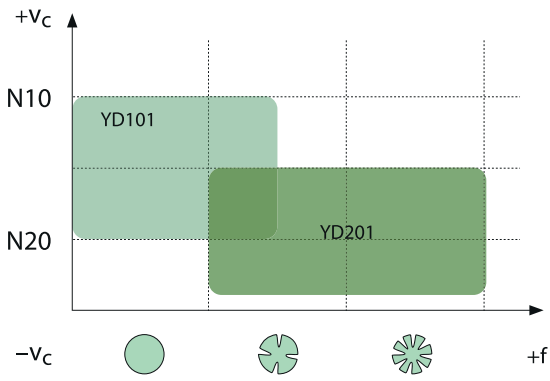
D

Technical Information

E

Index

Carbide grades for non-ferrous metals



A

Turning

B

Milling

C

Drilling

D

Technical
Information

E

Index

Application fields of grades – parting & grooving

	ISO	HC ¹ (CVD)	HC ¹ (PVD)	HT	HC ²	Ceramic	HW	CBN	PCD
A Turning	P01								
	P10								
	P20	YBC251 YBC252							
	P30								
	P40								
B Milling	M01								
	M10								
	M20		YBG202 YBG205 YB9320 YBG302						
	M30								
	M40								
C Drilling	K01								
	K10								
	K20								
	K30								
D Technical Information	N01						YD101 YD102		
	N10								
	N20								
	N30								
E Index	S01								
	S10		YBG102 YBG105						
	S20								
	S30								
F Index	H01								
	H10								
	H20								
	H30								

P	Steel
M	Stainless steel
K	Cast iron

N	Non-ferrous metals
S	Heat-resistant alloys
H	Hardened materials

HC ¹	Coated carbide
HT	Uncoated cermet
HC ²	Coated cermet
HW	Uncoated carbide

ZP G D 04 04 – M G

1 2 3 4 5 6 7

A

Turning

Application	
Code	Description
ZP	Parting
ZT	Grooving & turning
ZR	Form turning

Insert seat size [mm]	
Groove width	
Code	Description
B	2,0
E	2,5
F	3,0
G	4,0
H	5,0
K	6,0
L	8,0

B

Milling

1

2

C

Drilling

No. of cutting edges	
Code	Description
S	Single
D	Double

Insert thickness S [mm]	
Code	Description
02	2,0
025	2,5
03	3,0
04	4,0
05	5,0
06	6,0
08	8,0

3

4

D

Technical Information

Nose radius r [mm]	
Code	Description
02	0,2
03	0,3
04	0,4
08	0,8

Tolerance class [mm]	
Code	Description
M	±0,13
E	±0,025

5

6

E

Index

Chip breaker	
Code	Description
G	General chip breaker
F	Special chip breaker
M	Straight edge

7