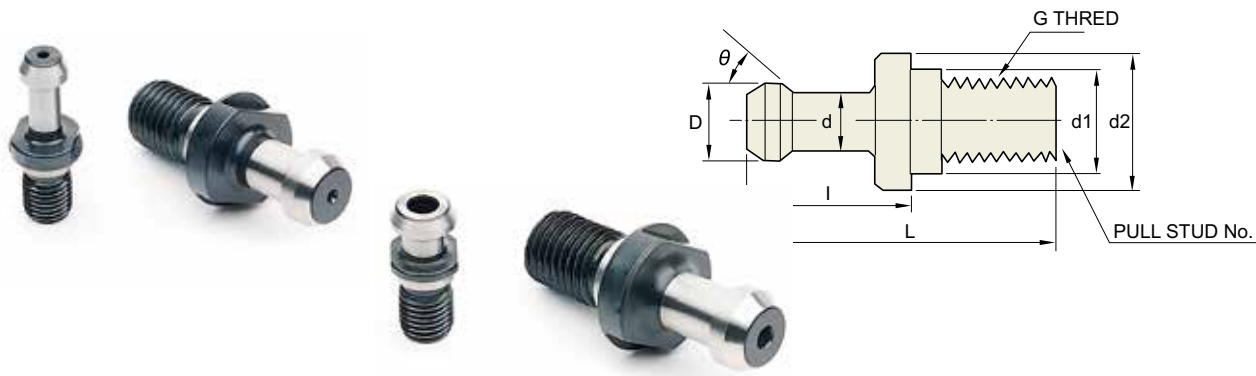




PULL STUD BOLT & SPANNER

ANZUGBOLZEN
BOULONS DE SERRAGE
TIRANTI PER MANDRINI UNIVERSALI
TIRANTES PARA PORTAHERRAMIENTAS

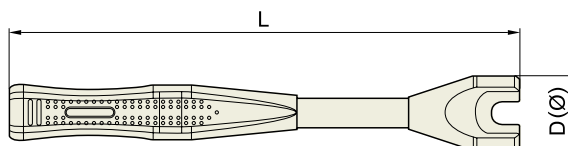


PULL STUD BOLT

Unit : mm

MODEL No.	EDP No.	D	d2	d1	d	L	l	G	O	TYPE
PS-1	P2775051	15	23	17	10	60	35	M16	45°	BT40- STANDARD TYPE
PS-2	P2775052	15	23	17	10	60	35	M16	60°	BT40- STANDARD TYPE
PS-805	P2775101	19	23	17	14	54	29	M16	75°	BT40
PS-806	P2775102	19	23	17	14	54	29	M16	75°	BT40 (Through Hole)
PS-5	P2775053	23	38	25	17	85	45	M24	45°	BT50- STANDARD TYPE
PS-6	P2775054	23	38	25	17	85	45	M24	60°	BT50- STANDARD TYPE
PS-16	P2775055	11	16.5	12.5	7	43	23	M12	45°	BT30- STANDARD TYPE
PS-17	P2775056	11	16.5	12.5	7	43	23	M12	60°	BT30- STANDARD TYPE
PS-0	P2506706	23	38	25	17	85	45	M24	90°	for BT50 OKK
PS-08	P2506703	15	23	17	10	60	35	M16	90°	for BT40 OKK
PS-P	P2775057	24	36	25	18	71	31	M24	90°	for BT50 MITISUI SEIKI
PS-P5	P2775058	15	23	17	10	50	25	M16	90°	for BT40 MITISUI SEIKI
PS-G41	P2775059	29	37	25	21	65.2	25.2	M24	45°	for BT50 MAZAK
PS-G51	P2775060	18.8	22	17	12.45	44.1	19.1	M16	45°	for BT40 MAZAK
PS-S2	P2775061	25	39	25	18	95	55	M24	60°	for SHIN NIPPON KOKI
PS-F1	P2775062	23	39	25	18	104	64	M24	45°	for MITSUBISHI
PS-B1	P2775063	22	38	25	16	112	72	M24	60°	for OKUMA
PSS-1	P2506707	19	23	17	14	54	26	M16	75°	for SK40
PSS-5	P2506708	28	36	25	21	74	34	M24	75°	for SK50

- ▶ Upon requests, other pull stud bolts with special dimensions could be produced and supplied.
- ▶ Through hole type ("H" Type) is available upon request.



PULL STUD BOLT SPANNER

Unit : mm

MODEL No.	EDP No.	D	L	WEIGHT (kg)	TYPE
PSWB-30	P2775064	27	210	0.30	BT30
PSWB-40	P2775065	37	230	0.40	BT40
PSWB-50	P2775066	49	280	0.78	BT50



PULL STUD BOLT

ANZUGBOLZEN
BOULONS DE SERRAGE
TIRANTI PER MANDRINI UNIVERSALI
TIRANTES PARA PORTAHERRAMIENTAS

APPLICATION TABLE OF PULL STUD BOLT

MACHINE MANUFACTURER	MACHINE MODEL No.	TAPER No.	PS BOLT
DOOSAN	T 4000	BT30	PS-16
	DT 360D	BT30	PS-16
	DNM 400 /500 / 650	BT40	PSS-1
	DNM 750 /40	BT40	PSS-1
	DNM 750 /50	BT50	PS-5
	Mynx 6500	BT50	PS-5
	Mynx 7500	BT50	PS-5
	VM 5400/6500	BT40	PSS-1
	VM 750	BT50	PS-5
	VM 960	BT50	PS-5
	VM 1260	BT50	PS-5
	VC 430	BT40	PSS-1
	VC 510	BT40	PSS-1
	DVM 500	BT40	PSS-1
	DVM 5650	BT40	PSS-1
	NX 4500	BT40	PSS-1
	NX 5500	BT40	PSS-1
	NX 6500	BT40	PSS-1
	NHM 5000	BT50	PS-5
	NHM 6300	BT50	PS-5
	NHM 8000	BT50	PS-5
	NHM 1000	BT50	PS-5
	NHM 1250	BT50	PS-5
	NHP 5000	BT50	PS-5
NHP 6300	BT50	PS-5	
HC 400	BT40	PSS-1	
HC 500	BT40	PSS-1	
WIA	i-CUT 380T/420T	BT30	PS-16
	i-CUT 400T/M	BT30	PS-16
	F 400/500/650	BT40	PS-1
	F 500/650	BT50	PS-5
	F 510M/550M/660M	BT40	PS-1
	F 510B	BT40	PS-1
	F 600B/750B/960B	BT50	PS-5
	KH 50G/63G	BT50	PS-5
	KH 80G/1000	BT40	PS-1
	HS 5000	BT40	PS-1
	HS 5000/6300/8000	BT50	PS-5

MACHINE MANUFACTURER	MACHINE MODEL No.	TAPER No.	PS BOLT	
SEMC	Any Mill LCV30A/B	BT30	PS-17	
	Any Mill LCV55S	BT50	PS-6	
	Any Mill LCV650S	BT50	PS-5	
	Any Mill ICV66	BT50	PS-5	
	Any Mill ICV80	BT50	PS-5	
	DMC-3000	BT50	PS-0	
	PCH40	BT40	PS-1	
	PCH50	BT50	PS-5	
	HWACHEON	SIRIUS-1	BT30	PS-16
		SIRIUS-550	BT40	PS-1
SIRIUS-UL/ULG		BT40	PS-1	
SIRIUS-7040		BT50	PS-0	
SIRIUS-650/650N		BT50	PS-0	
SIRIUS-850/850N		BT50	PS-0	
SIRIUS-700		BT50	PS-0	
SIRIUS-12580		BT50	PS-0	
S&T		TCH-45	BT40	PS-1
		TCH-50	BT50	PS-6
	TCH-80	BT50	PS-6	
	TCH-80TS	BT50	PS-6	
	FX-500H	BT40	PS-2	
	TNV-40A	BT40	PS-1	
	TNV-80A	BT40	PS-1	
	TNV-650V	BT50	PS-6	
	HASS	TM-1/2	BT40	PS-1
		VF-4SS/3SS/2SS	BT40	PS-1
VF-2TR		BT40	PS-1	
VF-5/50TR		BT50	PS-5	
VF-9/50		BT50	PS-5	
VF-8/50	BT50	PS-5		
MAZAK		BT40	PS-G51	
		BT50	PS-G41	
MORI SEKI		BT40	PS-08	
		BT50	PS-51	

HYDRAULIC
CHUCK

SHRINK FIT
HOLDER

ER COLLET
CHUCK

END MILL
HOLDER &
SIDE LOCK
ARBOR

SHELL MILL
ARBOR

POWER
MILLING
CHUCK

MORSE
TAPER
ARBOR

SK SLIM
CHUCK

SYNCHRO
TAPPING
CHUCK

ONE STEP
TAPPING
CHUCK

TAPPING
ER CHUCK

TAPPING
CHUCK

FACE MILL
ARBOR

COPY MILL
ARBOR &
INDEXABLE
DRILL HOLDER

NC DRILL
CHUCK &
OTHER TOOL
HOLDERS

BORING
SYSTEM

ACCESSORY
& OTHERS