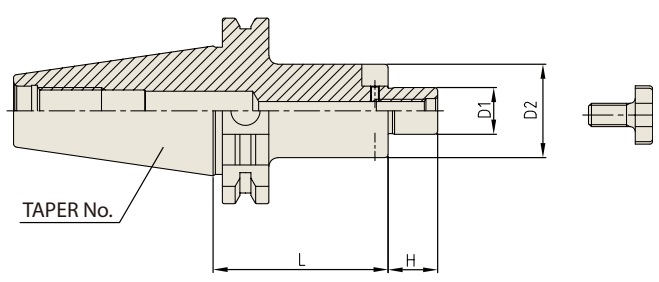


**SHELL MILL ARBOR**

**DIN 69871-SK**

AUFNAHMEDORN FÜR FRÄSER MIT BOHRUNG  
MANDRIN PORTE-FRAISES  
MANDRINO CON TRASCINAMENTO FISSO  
PORTA FRESAS



Parts, Refer to page 153-154

◆ **STANDARD**

Unit : mm

TAPER No.	MODEL No.	EDP No.	D1	D2	L	H	BOLT	WEIGHT (kg)
30	SK30-SMA16-50	P2778901	16	32	50	17	M8x16L	0.85
	SK30-SMA22-50	P2778902	22	40	50	19	M10x18L	0.90
	SK30-SMA27-50	P2778903	27	48	50	21	M12x22L	1.03
40	SK40-SMA16-60	P2778904	16	32	60	17	M8x16L	0.35
	SK40-SMA22-60	P2778905	22	40	60	19	M10x18L	1.45
	SK40-SMA27-60	P2778906	27	48	60	21	M12x22L	1.70
	SK40-SMA32-60	P2778907	32	58	60	24	M16x26L	1.80
50	SK40-SMA40-60	P2778908	40	70	60	27	M20x30L	3.10
	SK50-SMA16-75	P2778909	16	32	75	17	M8x16L	2.80
	SK50-SMA22-75	P2778910	22	40	75	19	M10x18L	3.10
	SK50-SMA27-75	P2778911	27	48	75	21	M12x22L	3.40
	SK50-SMA32-75	P2778912	32	58	75	24	M16x26L	3.80
	SK50-SMA40-75	P2778913	40	70	75	27	M20x30L	4.50
	SK50-SMA50-75	P2778914	50	90	75	30	M24x36L	5.90

◆ **EXTENDED**

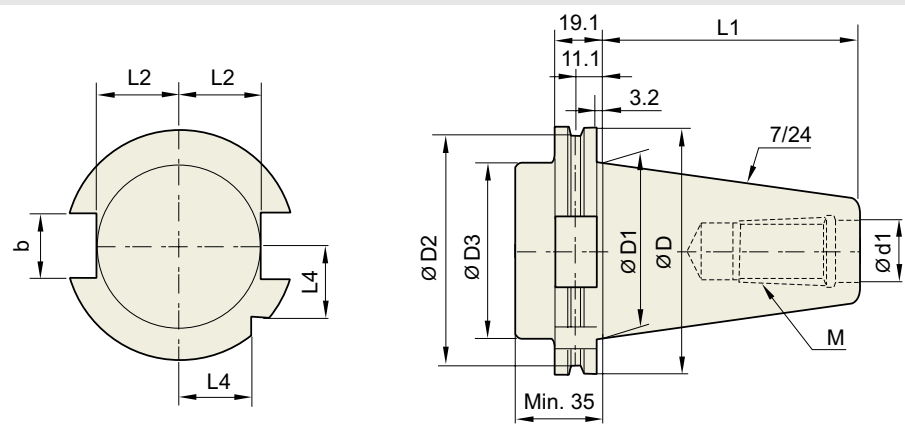
Unit : mm

TAPER No.	MODEL No.	EDP No.	D1	D2	L	H	BOLT	WEIGHT (kg)
40	SK40-SMA16-120	P2778915	16	32	120	17	M8x16L	1.70
	SK40-SMA22-120	P2778916	22	40	120	19	M10x18L	1.80
	SK40-SMA27-120	P2778917	27	48	120	21	M12x22L	2.40
	SK40-SMA32-120	P2778918	32	58	120	24	M16x26L	3.70
50	SK50-SMA16-120	P2778919	16	32	120	17	M8x16L	3.90
	SK50-SMA22-120	P2778920	22	40	120	19	M10x18L	4.40
	SK50-SMA27-120	P2778921	27	48	120	21	M12x22L	4.70
	SK50-SMA32-120	P2778922	32	58	120	24	M16x26L	5.00
	SK50-SMA40-120	P2778923	40	70	120	27	M20x30L	6.05

- ▶ Without "Coolant Through".
- ▶ CAT(ANSI B5.50) taper and Inch type products are available.

**TECHNICAL DATA : SHANK STANDARD**

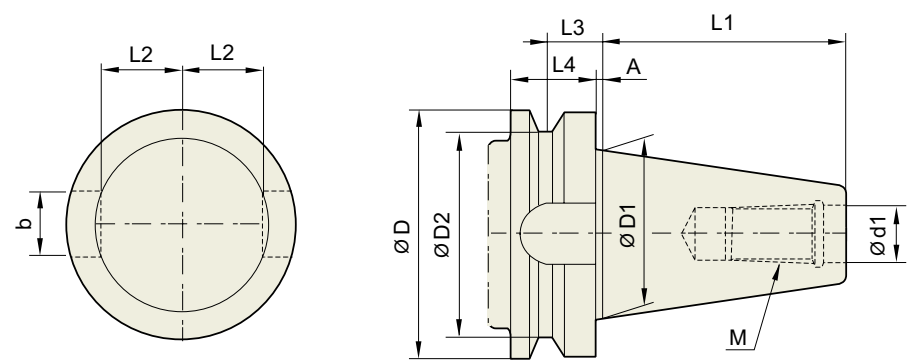
**DIN 69871-SK**



Unit : mm

TAPER No.	ØD	ØD1	ØD2	ØD3	Ød1	L1	L2	L3	L4	b	M
<b>SK30</b>	50	31.75	44.3	45	13	47.8	16.4	19	15	16.1	M12×1.75
<b>SK40</b>	63.55	44.45	56.25	50	17	68.4	22.8	25	18.5	16.1	M16×2.0
<b>SK50</b>	97.5	69.85	91.25	80	25	101.75	35.5	37.7	30	25.7	M24×3.0

**JIS B6339/ MAS 403-BT**

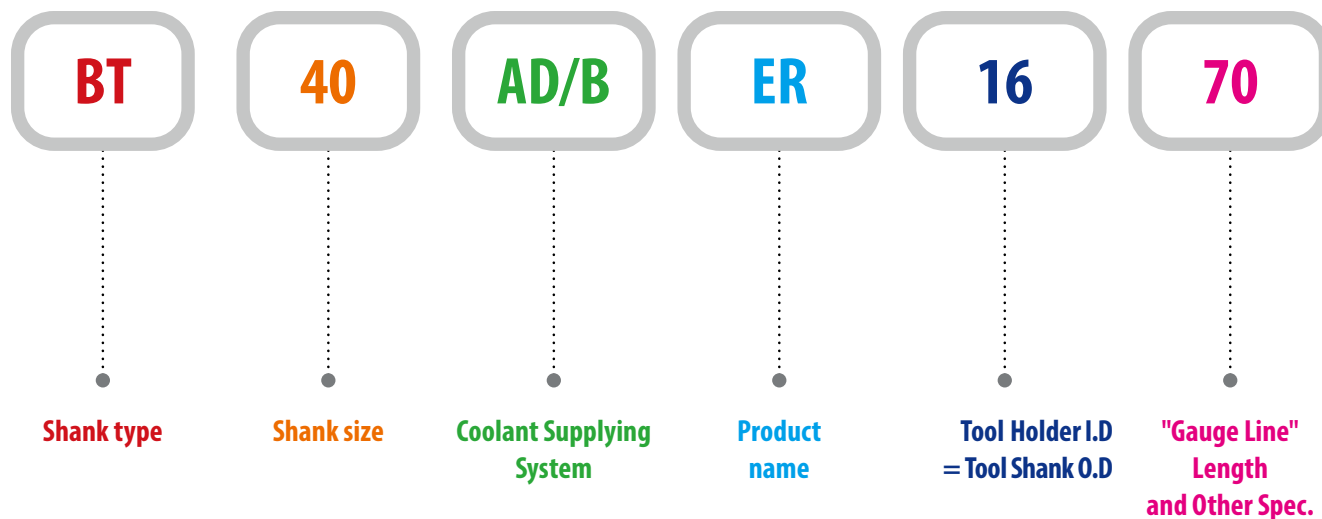


Unit : mm

TAPER No.	ØD	ØD1	ØD2	Ød13.	L1	L2	L3	L4	A	b	M
<b>BT30</b>	46	31.75	38	12.5	48.4	16.3	13.6	20	2	16.1	M12×1.75
<b>BT40</b>	63	44.45	53	17	65.4	22.6	16.6	25	2	16.1	M16×2
<b>BT50</b>	100	69.85	85	25	101.8	35.4	23.2	35	3	25.7	M24×3
<b>BT60</b>	155	107.95	135	31	161.8	60.1	28.2	45	3	25.7	M30×3.5

# MODEL NUMBERING SYSTEM & SURFACE FINISH

## Model Numbering System



## Surface Finish

