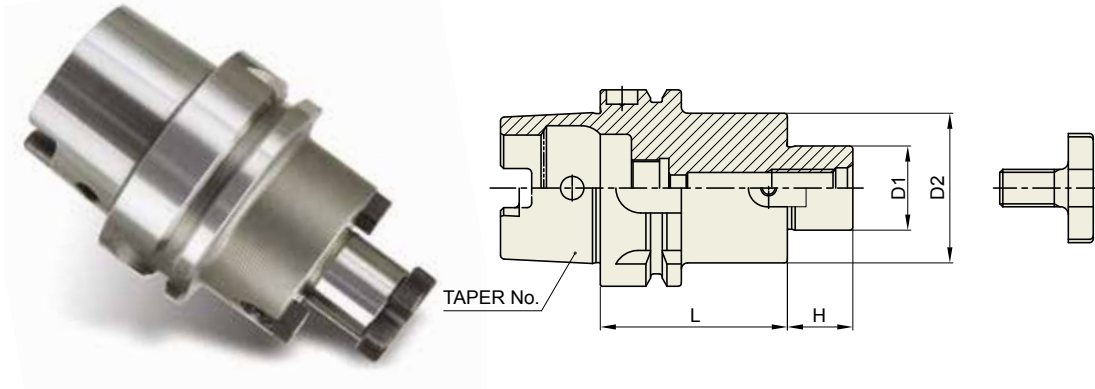


SHELL MILL ARBOR

AUFNAHMEDORN FÜR FRÄSER MIT BOHRUNG
 MANDRIN PORTE-FRAISES
 MANDRINO CON TRASCINAMENTO FISSO
 PORTA FRESAS

**DIN 69893/
 ISO 12164-1-HSK FORM A**



Parts
 Refer to page 153-154

TAPER No.	MODEL No.	EDP No.	D1	D2	L	H	BOLT	WEIGHT (kg)
40A	HSK40A-SMA16-50	P2778201	16	32	50	17	M8x16L	0.40
	HSK40A-SMA22-50	P2778202	22	40	50	19	M10x18L	0.50
	HSK40A-SMA27-60	P2778203	27	48	60	21	M12x22L	0.60
50A	HSK50A-SMA16-50	P2778204	16	32	50	17	M8x16L	0.50
	HSK50A-SMA22-60	P2778205	22	40	60	19	M10x18L	0.57
	HSK50A-SMA27-60	P2778206	27	48	60	21	M12x22L	0.75
	HSK50A-SMA32-60	P2778207	32	58	60	24	M16x26L	0.90
63A	HSK63A-SMA16-50	P2566001	16	32	50	17	M8x16L	0.81
	HSK63A-SMA22-50	P2566002	22	40	50	19	M10x18L	0.93
	HSK63A-SMA27-60	P2566003	27	48	60	21	M12x22L	1.22
	HSK63A-SMA32-60	P2566004	32	58	60	24	M16x26L	1.46
	HSK63A-SMA40-60	P2566005	40	70	60	27	M20x30L	1.80
100A	HSK100A-SMA16-50	P2566011	16	32	50	17	M8x16L	2.14
	HSK100A-SMA22-50	P2566012	22	40	50	19	M10x18L	2.25
	HSK100A-SMA27-50	P2566013	27	48	50	21	M12x22L	2.40
	HSK100A-SMA32-50	P2566014	32	58	50	24	M16x26L	2.60
	HSK100A-SMA40-60	P2566015	40	70	60	27	M20x30L	3.25
	HSK100A-SMA50-70	P2778209	50	90	70	30	M24x36L	5.40

► Without "Coolant Through".

HYDRAULIC CHUCK

SHRINK FIT HOLDER

ER COLLET CHUCK

END MILL HOLDER & SIDE LOCK ARBOR

SHELL MILL ARBOR

POWER MILLING CHUCK

MORSE TAPER ARBOR

SK SLIM CHUCK

SYNCHRO TAPPING CHUCK

ONE STEP TAPPING CHUCK

TAPPING ER CHUCK

TAPPING CHUCK

FACE MILL ARBOR

COPY MILL ARBOR & INDEXABLE DRILL HOLDER

NC DRILL CHUCK & OTHER TOOL HOLDERS

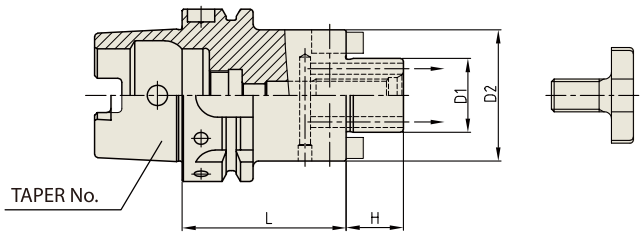
BORING SYSTEM

ACCESSORY & OTHERS

SHELL MILL ARBOR (COOLANT CHANNEL)

DIN 69893/ ISO 12164-1-HSK FORM A

AUFNAHMEDORN FÜR FRÄSER MIT BOHRUNG
 MANDRIN PORTE-FRAISES
 MANDRINO CON TRASCINAMENTO FISSO
 PORTA FRESAS



Parts Refer to page 153-154

Unit : mm

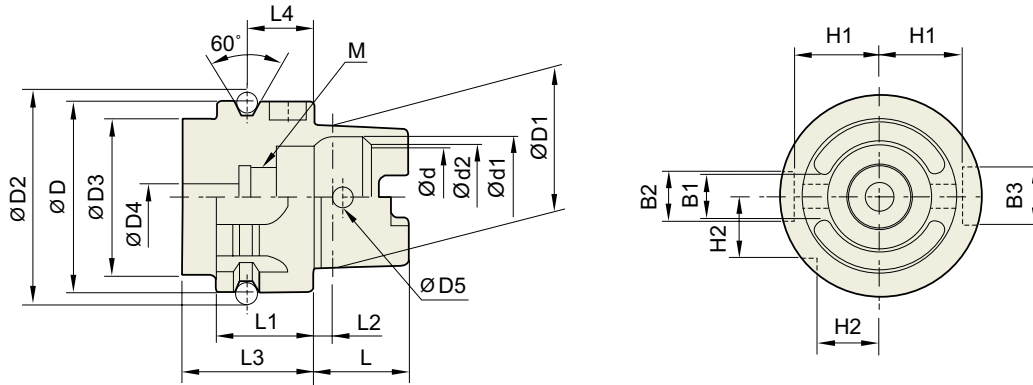
TAPER No.	MODEL No.	EDP No.	D1	D2	L	H	BOLT	WEIGHT (kg)
63A	HSK63A-SMA16C-50	P2566001C	16	32	50	17	M8x16L	0.80
	HSK63A-SMA22C-50	P2566002C	22	40	50	19	M10x18L	0.92
	HSK63A-SMA22C-100	P2801101C	22	40	100	19	M10x18L	1.40
	HSK63A-SMA22C-160	P2803202C	22	40	160	19	M10x18L	1.97
	HSK63A-SMA27C-60	P2566003C	27	48	60	21	M12x22L	1.19
	HSK63A-SMA27C-100	P2801102C	27	48	100	21	M12x22L	1.74
	HSK63A-SMA27C-160	P2803204C	27	48	160	21	M12x22L	2.55
	HSK63A-SMA32C-60	P2566004C	32	58	63	24	M16x26L	1.50
	HSK63A-SMA32C-100	P2801103C	32	58	100	24	M16x26L	2.72
	HSK63A-SMA40C-60	P2566005C	40	70	60	27	M20x30L	1.66
100A	HSK100A-SMA16C-50	P2566011C	16	32	50	17	M8x16L	2.25
	HSK100A-SMA22C-50	P2566012C	22	40	50	19	M10x18L	2.25
	HSK100A-SMA22C-100	P2801105C	22	40	100	19	M10x18L	2.72
	HSK100A-SMA22C-160	P2803206C	22	40	160	19	M10x18L	3.28
	HSK100A-SMA27C-50	P2566013C	27	48	50	21	M12x22L	2.40
	HSK100A-SMA27C-100	P2801106C	27	48	100	21	M12x22L	3.12
	HSK100A-SMA27C-160	P2803207C	27	48	160	21	M12x22L	4.01
	HSK100A-SMA32C-50	P2566014C	32	58	50	24	M16x26L	2.55
	HSK100A-SMA32C-100	P2801107C	32	58	100	24	M16x26L	3.49
	HSK100A-SMA32C-160	P2803208C	32	58	160	24	M16x26L	4.66
	HSK100A-SMA40C-60	P2566015C	40	70	60	27	M20x30L	3.10
	HSK100A-SMA40C-100	P2801108C	40	70	100	27	M20x30L	4.19
	HSK100A-SMA40C-160	P2803209C	40	70	160	27	M20x30L	5.88

► With "Coolant Through" by coolant channels.



TECHNICAL DATA : SHANK STANDARD

**DIN 69893/
ISO12164-1-HSK**



Unit : mm

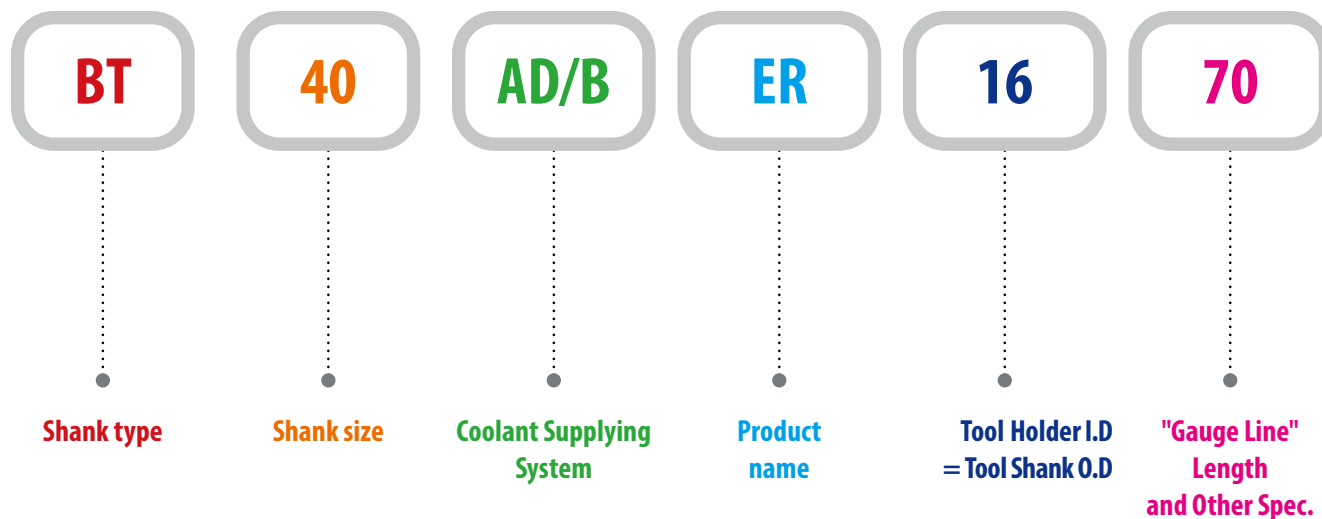
TAPER No.	$\varnothing D$	$\varnothing D1$	$\varnothing D2$	$\varnothing D3$	$\varnothing D4$	$\varnothing D5$	L	L1	L2	L3	L4
HSK32A	32	24	37.00	26	4.2	4.0	16	20	3.2	35	16
HSK40A	40	30	45.00	34	5.0	4.6	20	20	4.0	35	16
HSK50A	50	38	59.30	42	6.8	6.0	25	26	5.0	42	18
HSK63A	63	48	72.30	53	8.4	7.5	32	26	6.3	42	18
HSK80A	80	60	88.8	68	10.2	8.5	40	26	8	42	18
HSK100A	100	75	109.75	85	12.0	12.0	50	29	10.0	45	20

Unit : mm

TAPER No.	$\varnothing d$	$\varnothing d1$	$\varnothing d2$	B1	B2	B3	H1	H2	L4
HSK32A	17	20.5	19	7.05	7	9	13.0	9.5	M10×1.0
HSK40A	21	25.5	23	8.05	9	11	17.0	12.0	M12×1.0
HSK50A	26	32.0	29	10.54	12	14	21.0	15.5	M16×1.0
HSK63A	34	40.0	37	12.54	16	18	26.5	20.0	M18×1.0
HSK80A	42	50	46	16.04	18	20	34	25	M20×1.5
HSK100A	53	63.0	58	20.02	20	22	44.0	31.5	M24×1.5

MODEL NUMBERING SYSTEM & SURFACE FINISH

Model Numbering System



Surface Finish

