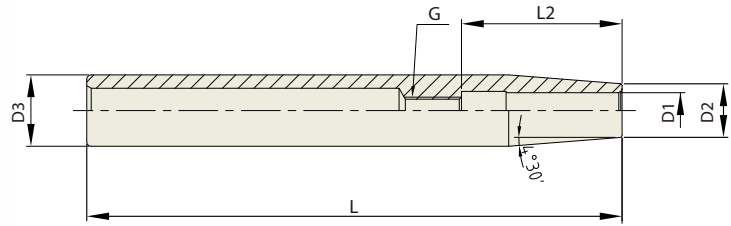


SHRINK FIT HOLDER (EXTENSION)

STRAIGHT

SCHRUMPFUTTER (VERLÄGERUNG)
 MANDRIN DE FRETAGE (EXTENSION)
 MADRINI PER CALLETAMENTO A CALDO (PROLUNGHE)
 PORTAHERRAMIENTAS DE COMPRESION POR CALOR (EXTENSION)



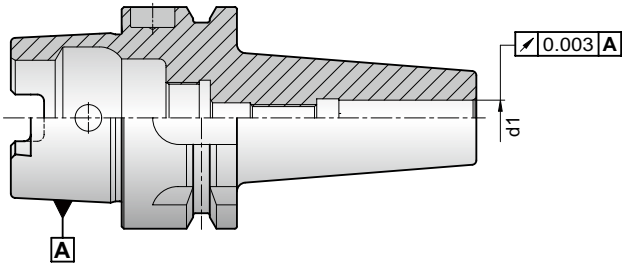
Unit : mm

TAPER No.	MODEL No.	EDP No.	D1	D2	D3	L	L1	G	WEIGHT (kg)
12	ST12-SFH3-120	P2767010	3	8	12	120	10	-	0.05
	ST12-SFH4-120	P2767015	4	8	12	120	12	-	0.05
	ST12-SFH5-120	P2771701	5	10	12	120	15	-	0.08
	ST12-SFH6-120	P2771709	6	10	12	120	36	M5×0.8	0.07
16	ST16-SFH3-120	P2767110	3	10	16	120	10	-	0.14
	ST16-SFH4-120	P2767115	4	10	16	120	12	-	0.14
	ST16-SFH5-120	P2771702	5	10	16	120	15	-	0.14
	ST16-SFH6-120	P2771710	6	10	16	120	36	M5×0.8	0.14
20	ST16-SFH8-120	P2771711	8	12	16	120	36	M6×1.0	0.12
	ST20-SFH3-120	P2771703	3	10	20	120	10	-	0.21
	ST20-SFH4-120	P2771704	4	10	20	120	12	-	0.21
	ST20-SFH5-120	P2771705	5	10	20	120	15	-	0.20
	ST20-SFH6-120	P2771712	6	10	20	120	36	M5×0.8	0.20
	ST20-SFH8-120	P2771713	8	12	20	120	36	M6×1.0	0.19
	ST20-SFH10-120	P2771714	10	14	20	120	43	M8×1.0	0.20
	ST20-SFH12-120	P2771715	12	16	20	120	48	M10×1.0	0.18

► Inch type products are available.

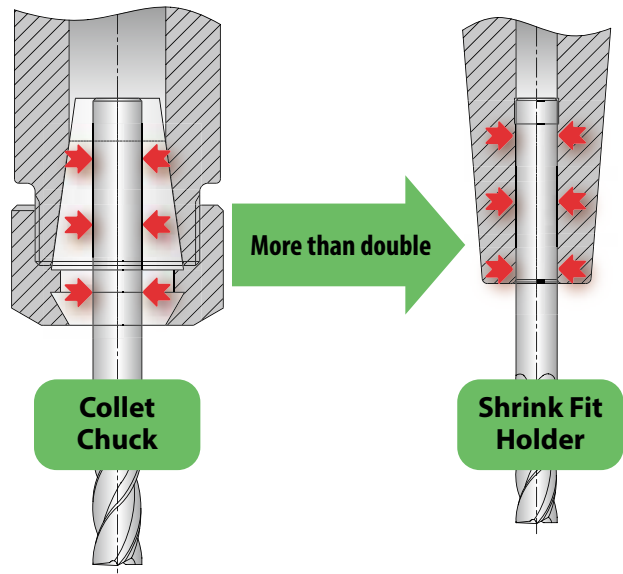
SHRINK FIT HOLDER

High Precision I.D Run-out : $\leq 0.003\text{mm}$



- Less than 0.003mm of Tool Holder accuracy at I.D

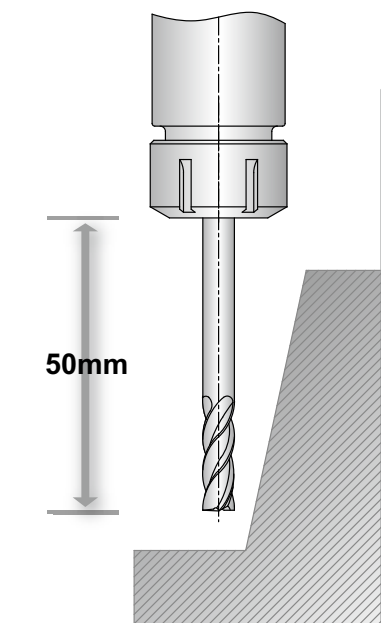
Strong and Consistent Torque Power



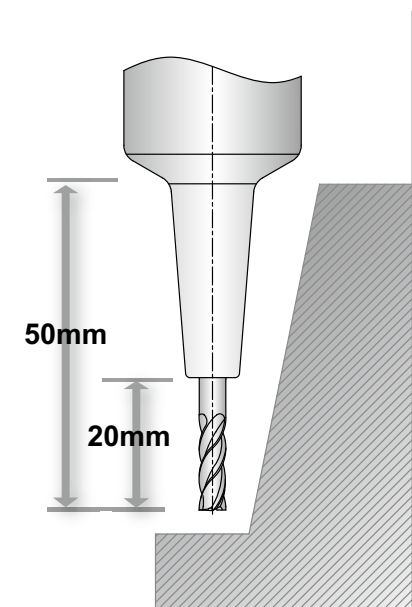
- Achieving strong torque power by integration of chuck and tool

Deep hole Machining

Collet Chuck

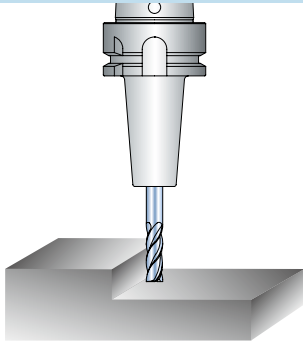
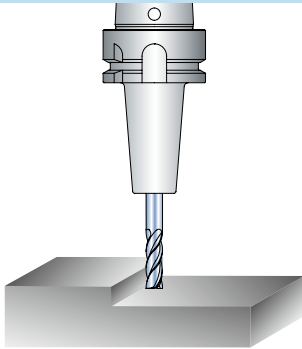
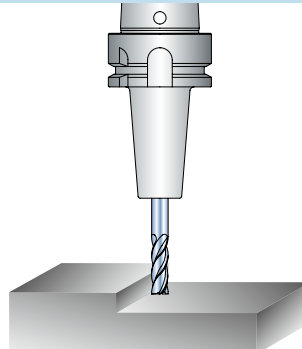
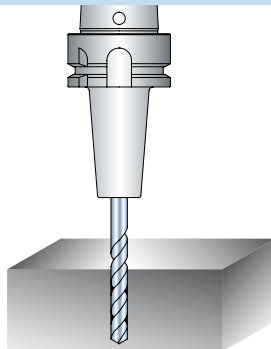
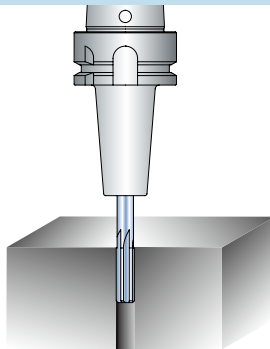
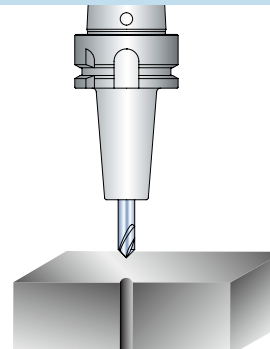


Shrink Fit Holder



More favorable in deep hole machining

- Suitable for High-Speed precision deep hole machining

APPLICATION		
Rough Milling 	Finish Milling 	High-Speed Cutting 
Drilling 	Reaming 	Countersinking 

Shank Type of Cutting Tool

Straight shank



One weldon flat shaft type



• One Weldon flat shaft type tool is usable, but there is a possibility that the I.D of shrink fit holder may be deformed.

Material of Cutting Tool

CARBIDE
TOOL

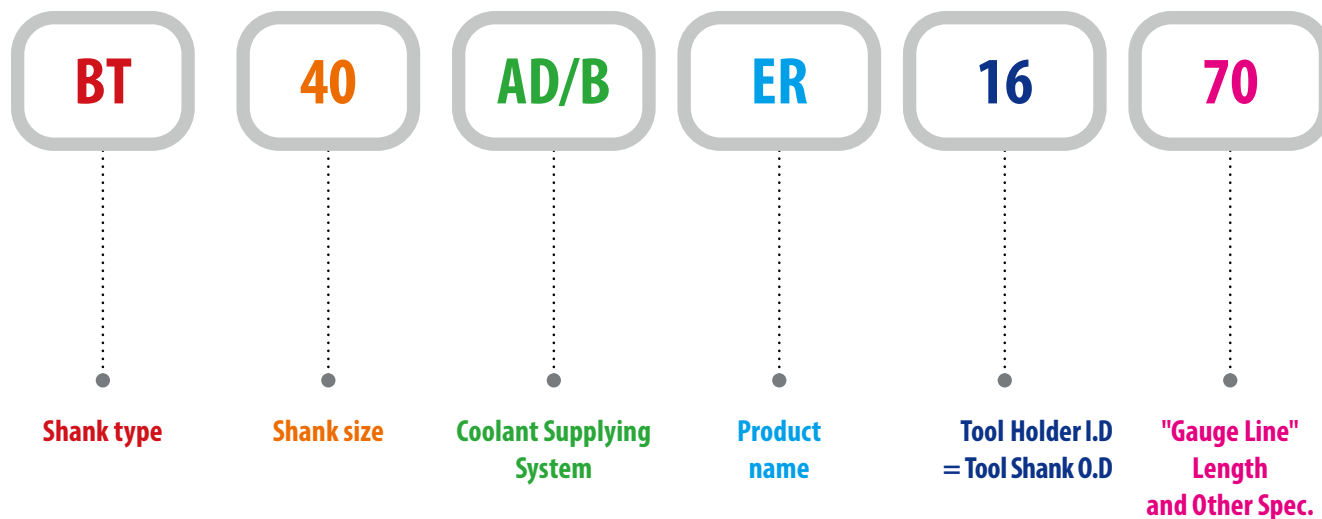
HSS
TOOL

OK

NO

MODEL NUMBERING SYSTEM & SURFACE FINISH

Model Numbering System



Surface Finish

