

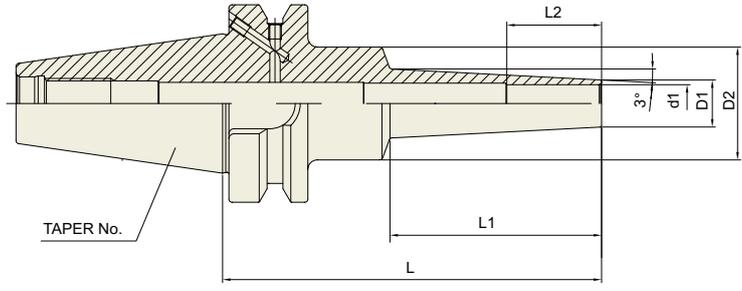
YG SHRINK FIT HOLDER

SFHS

SHRINK FIT HOLDER (EXTRA SLIM)

JIS B6339/
MAS 403-BT

SCHRUMPFUTTER
MANDRIN DE FRETTAGE
MADRINI PER CALLETAMENTO A CALDO
PORTAHERRAMIENTAS DE COMPRESION POR CALOR



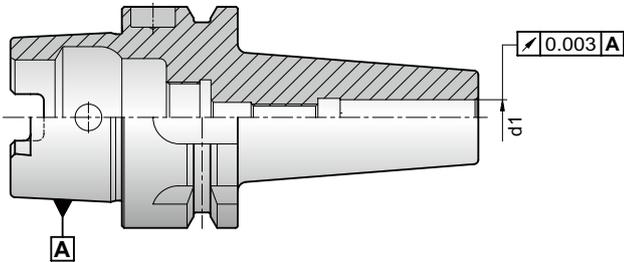
Unit : mm

TAPER No.	MODEL No.	EDP No.	d1	D1	D2	L	L1	L2	WEIGHT (kg)
30	BT30-SFHS3-60	P2779851S	3	6	20	60	22	9	
	BT30-SFHS3-80	P2779852S	3	6	20	80	42	9	
	BT30-SFHS3-120	P2779853S	3	6	20	120	67	9	
	BT30-SFHS4-60	P2779854S	4	7	20	60	22	12	
	BT30-SFHS4-80	P2779855S	4	7	20	80	42	12	
	BT30-SFHS4-120	P2779856S	4	7	20	120	67	12	
	BT30-SFHS6-60	P2779857S	6	9	20	60	22	18	
	BT30-SFHS6-80	P2779858S	6	9	20	80	42	18	
40	BT30-SFHS6-120	P2779859S	6	9	20	120	67	18	
	BT40AD/B-SFHS3-95	P2779860S	3	6	26	95	42	9	
	BT40AD/B-SFHS3-120	P2779861S	3	6	26	120	67	9	
	BT40AD/B-SFHS3-160	P2779862S	3	6	26	160	97	9	
	BT40AD/B-SFHS4-95	P2779863S	4	7	26	95	42	12	
	BT40AD/B-SFHS4-120	P2779864S	4	7	26	120	67	12	
	BT40AD/B-SFHS4-160	P2779865S	4	7	26	160	97	12	
	BT40AD/B-SFHS6-95	P2779866S	6	9	26	95	42	18	
	BT40AD/B-SFHS6-120	P2779867S	6	9	26	120	67	18	
	BT40AD/B-SFHS6-160	P2779868S	6	9	26	160	97	18	
	BT40AD/B-SFHS8-95	P2779869S	8	11	36	95	42	24	
	BT40AD/B-SFHS8-120	P2779870S	8	11	36	120	67	24	
	BT40AD/B-SFHS8-160	P2779871S	8	11	36	160	97	24	
	BT40AD/B-SFHS10-95	P2779872S	10	13	36	95	42	30	
	BT40AD/B-SFHS10-120	P2779873S	10	13	36	120	67	30	
	BT40AD/B-SFHS10-160	P2779874S	10	13	36	160	97	30	
	BT40AD/B-SFHS12-95	P2779875S	12	15	36	95	42	30	
	BT40AD/B-SFHS12-120	P2779876S	12	15	36	120	67	30	
	BT40AD/B-SFHS12-160	P2779877S	12	15	36	160	97	30	
	50	BT50AD/B-SFHS3-110	P2779878S	3	6	26	110	42	9
BT50AD/B-SFHS3-160		P2779879S	3	6	26	160	97	9	
BT50AD/B-SFHS4-110		P2779880S	4	7	26	110	42	12	
BT50AD/B-SFHS4-160		P2779881S	4	7	26	160	97	12	
BT50AD/B-SFHS6-110		P2779882S	6	9	26	110	42	18	
BT50AD/B-SFHS6-160		P2779883S	6	9	26	160	97	18	
BT50AD/B-SFHS8-110		P2779884S	8	11	36	110	42	24	
BT50AD/B-SFHS8-160		P2779885S	8	11	36	160	97	24	
BT50AD/B-SFHS10-110		P2779886S	10	13	36	110	42	30	
BT50AD/B-SFHS10-160		P2779887S	10	13	36	160	97	30	
BT50AD/B-SFHS12-110		P2779888S	12	15	36	110	42	30	
BT50AD/B-SFHS12-160		P2779889S	12	15	36	160	97	30	

- ▶ CBT(BT DUAL CONTACT) Holder available.
- ▶ CAT(ANSI B5.50) taper and Inch type products are available.

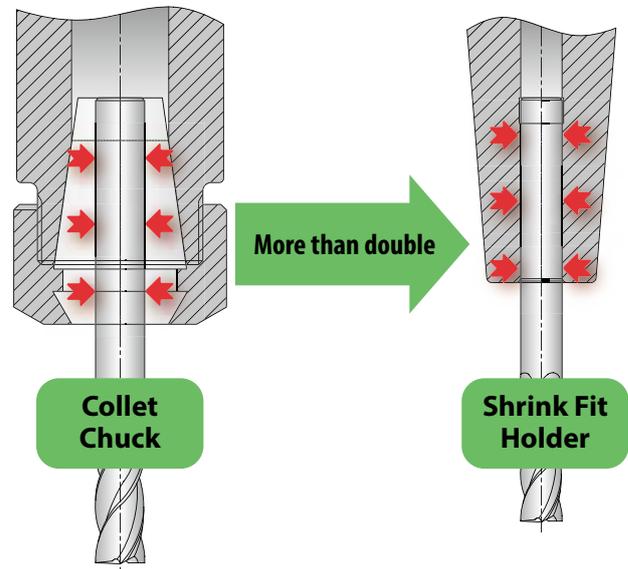
SHRINK FIT HOLDER

High Precision I.D Run-out : $\leq 0.003\text{mm}$



- Less than 0.003mm of Tool Holder accuracy at I.D

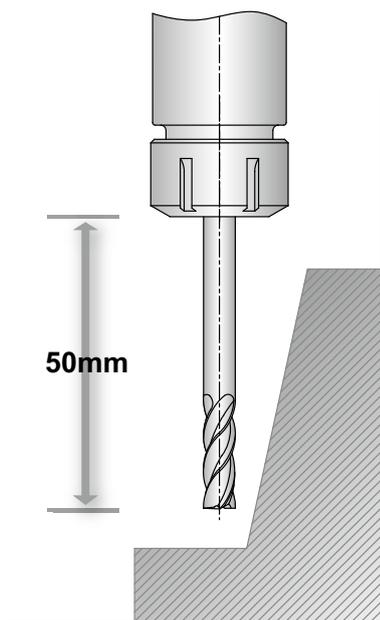
Strong and Consistent Torque Power



- Achieving strong torque power by integration of chuck and tool

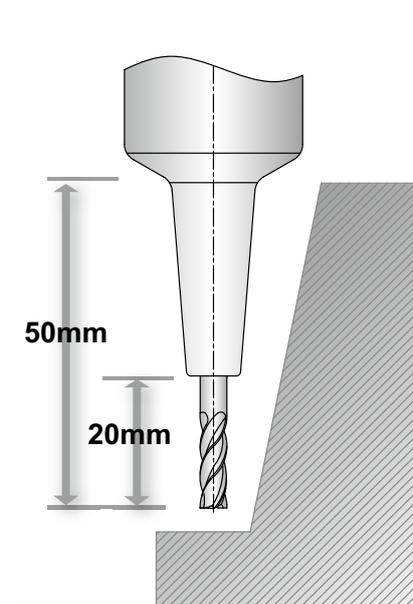
Deep hole Machining

Collet Chuck

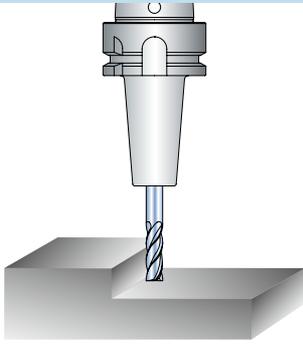
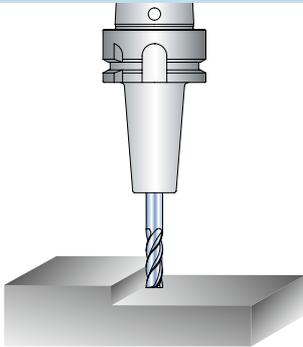
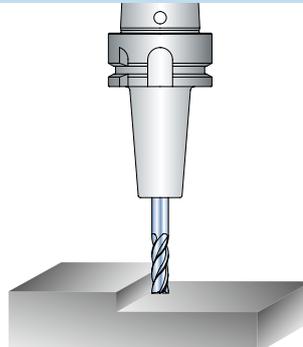
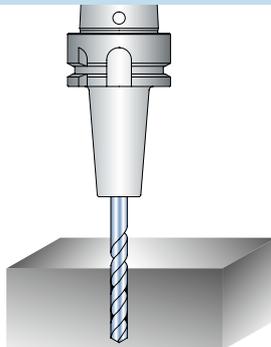
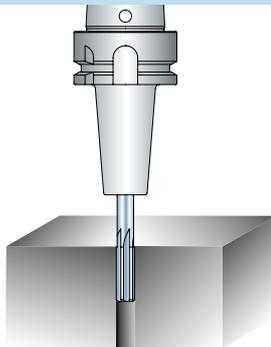
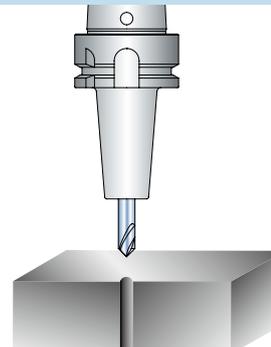


Shrink Fit Holder

More favorable in deep hole machining



- Suitable for High-Speed precision deep hole machining

APPLICATION		
Rough Milling 	Finish Milling 	High-Speed Cutting 
Drilling 	Reaming 	Countersinking 

Shank Type of Cutting Tool

Straight shank



One weldon flat shaft type



• One Weldon flat shaft type tool is usable, but there is a possibility that the I.D of shrink fit holder may be deformed.

Material of Cutting Tool

CARBIDE
TOOL

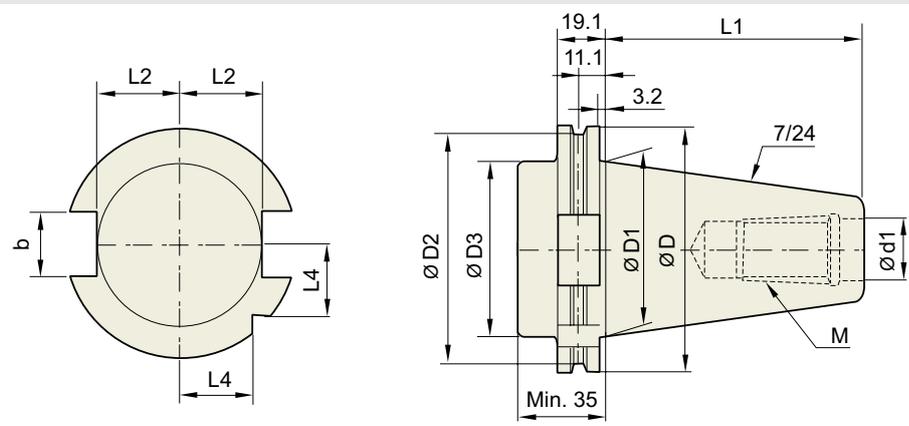
HSS
TOOL

OK

NO

TECHNICAL DATA : SHANK STANDARD

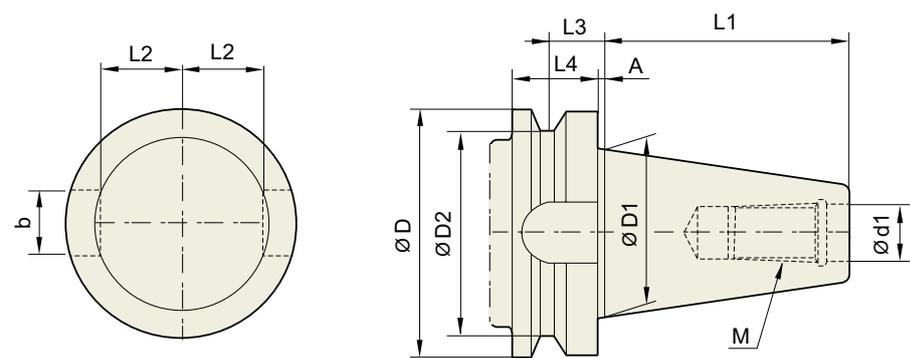
DIN 69871-SK



Unit : mm

TAPER No.	ØD	ØD1	ØD2	ØD3	Ød1	L1	L2	L3	L4	b	M
SK30	50	31.75	44.3	45	13	47.8	16.4	19	15	16.1	M12×1.75
SK40	63.55	44.45	56.25	50	17	68.4	22.8	25	18.5	16.1	M16×2.0
SK50	97.5	69.85	91.25	80	25	101.75	35.5	37.7	30	25.7	M24×3.0

JIS B6339/ MAS 403-BT

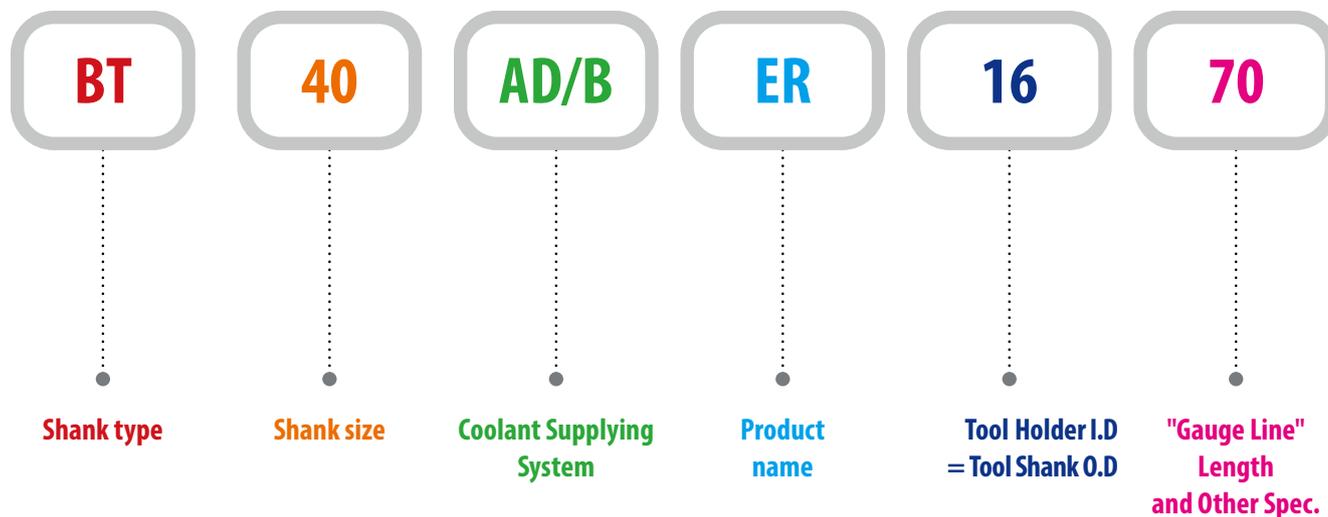


Unit : mm

TAPER No.	ØD	ØD1	ØD2	Ød13.	L1	L2	L3	L4	A	b	M
BT30	46	31.75	38	12.5	48.4	16.3	13.6	20	2	16.1	M12×1.75
BT40	63	44.45	53	17	65.4	22.6	16.6	25	2	16.1	M16×2
BT50	100	69.85	85	25	101.8	35.4	23.2	35	3	25.7	M24×3
BT60	155	107.95	135	31	161.8	60.1	28.2	45	3	25.7	M30×3.5

MODEL NUMBERING SYSTEM & SURFACE FINISH

Model Numbering System



Surface Finish

