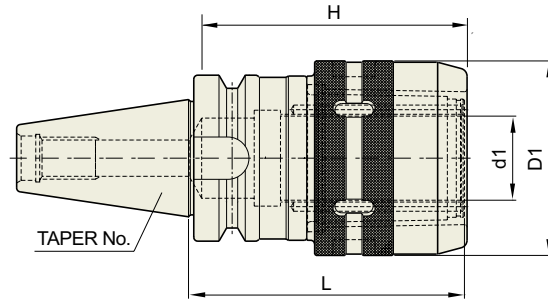




**POWER MILLING CHUCK**

**JIS B6339/MAS 403-BT**

FRÄSERSPANNFUTTER  
MANDRIN PORTE FRAISE  
MANDRINI PORTA FRESA  
PORTAHERRAMIENTAS PARA FRESADO



Collet, spanner  
Refer to page 176

TAPER No.	MODEL No.	EDP No.	d1	D1	L	H	WEIGHT (kg)
30	BT30-C20-75	P2546001	20	54	75	70	1.50
	BT30-C25-80	P2546002	25	62.5	80	70	2.00
40	BT40-C20-80	P2546003	20	54	80	70	2.00
	BT40-C20-105	P2546004	20	54	105	70	2.10
	BT40-C25-105	P2546005	25	62.5	105	80	2.50
	BT40-C32-90	P2546006	32	72	90	100	3.00
	BT40-C32-105	P2546007	32	72	105	100	3.10
	BT40-C32-135	P2546008	32	72	135	100	3.30
50	BT50-C20-105	P2546009	20	54	105	70	4.50
	BT50-C20-135	P2546010	20	54	135	70	4.90
	BT50-C20-165	P2546011	20	54	165	70	5.40
	BT50-C25-105	P2546012	25	62.5	105	80	5.20
	BT50-C25-135	P2546013	25	62.5	135	80	5.80
	BT50-C25-165	P2546014	25	62.5	165	80	6.20
	BT50-C32-105	P2546015	32	72	105	100	6.00
	BT50-C32-115	P2546016	32	72	115	100	6.20
	BT50-C32-135	P2546017	32	72	135	100	6.70
	BT50-C32-165	P2546018	32	72	165	100	7.40
	BT50-C42-115	P2546019	42	92	115	110	6.70
	BT50-C42-135	P2546020	42	92	135	110	7.60
BT50-C42-165	P2546121	42	92	165	110	8.30	

▶ CAT(ANSI B5.50) taper and Inch type products are available.

HYDRAULIC CHUCK

SHRINK FIT HOLDER

ER COLLET CHUCK

END MILL HOLDER & SIDE LOCK ARBOR

SHELL MILL ARBOR

**POWER MILLING CHUCK**

MORSE TAPER ARBOR

SK SLIM CHUCK

SYNCHRO TAPPING CHUCK

ONE STEP TAPPING CHUCK

TAPPING ER CHUCK

TAPPING CHUCK

FACE MILL ARBOR

COPY MILL ARBOR & INDEXABLE DRILL HOLDER

NC DRILL CHUCK & OTHER TOOL HOLDERS

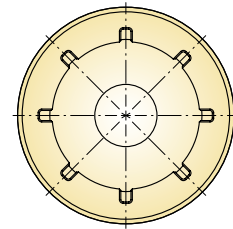
BORING SYSTEM

ACCESSORY & OTHERS

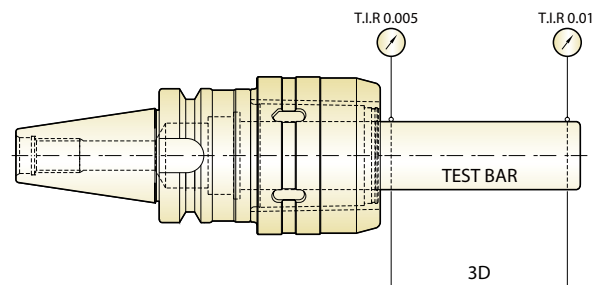
## POWER MILLING CHUCK



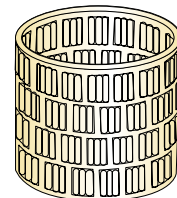
- Rigidity is strengthened through slot made at inside milling chuck, which prevents deformation of milling chuck. Smooth cutting is achieved by maximizing end mill clamping power.
- Enough thickness of clamping part prevents chattering and ensures durability.



- High precision can be achieved through accurate roundness of clamping part, deburred surface and rigidity (deviation of concentricity : below 2, roughness : below RZ B1.0~1.5)
- Maintaining T.I.R not exceeding 0.01mm at 3D from nose part



- 160% more of bearings are used in needle roller than other make's chucks, which provides strong clamping power and high durability by dispersing surface pressure even in case strong load is applied.



- In order to improve durability, YG-1 milling chuck is passed through following processes.
  - "Normalizing" treatment for unifying material composition and removal internal stress.
  - Ultralow temperature (-90°C) treatment called "Sub-Zero treatment" after carburizing heat treatment for prior removal of any deformation of milling chuck after use for long periods of time.

### High-Speed POWER MILLING CHUCK

- Achieving optimum cutting for High-Speed heavy duty cutting and finishing with strong torque power
- Perfect clamping from 3mm depth of I.D entrance
- Achieving stability when exchanging and setting tools by stable fastening and unfastening torque

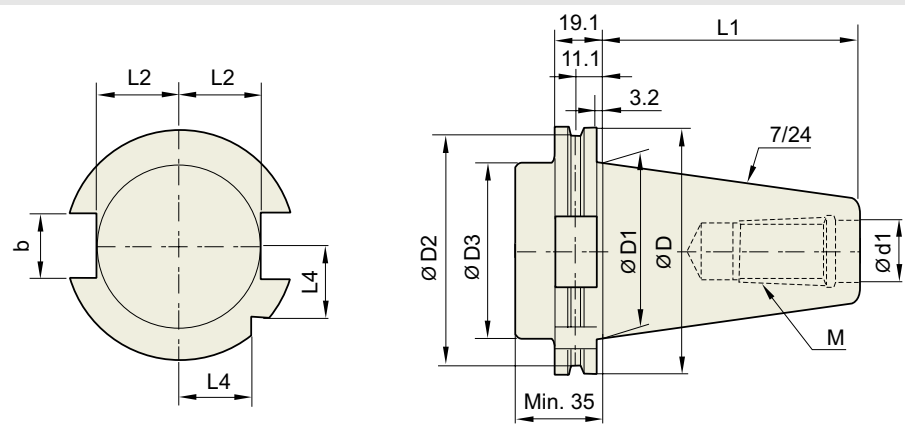


### Strong Torque Power

Milling chuck (I.D)	Standard	Tolerance (Taper shank)	Run-out	Clamping torque
C20	AT3	ISO 30 (0~+0.002) ISO 40 (0~+0.003) ISO 50 (0~+0.004)	0.01mm at 3D	980Nm
C25				1,760Nm
C32				3,430Nm
C42				4,900Nm

**TECHNICAL DATA : SHANK STANDARD**

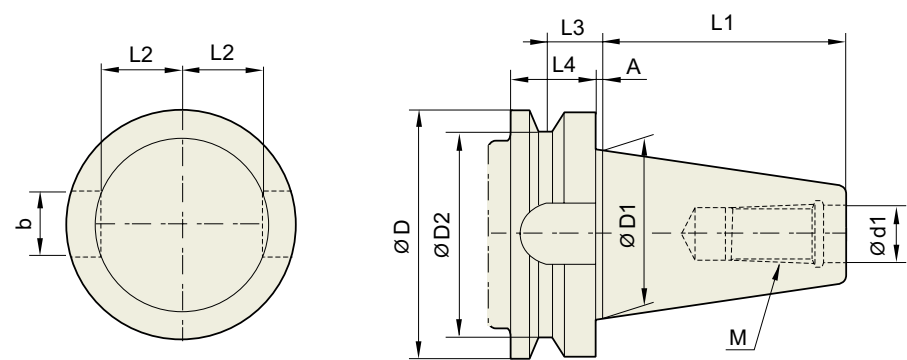
**DIN 69871-SK**



Unit : mm

TAPER No.	ØD	ØD1	ØD2	ØD3	Ød1	L1	L2	L3	L4	b	M
SK30	50	31.75	44.3	45	13	47.8	16.4	19	15	16.1	M12×1.75
SK40	63.55	44.45	56.25	50	17	68.4	22.8	25	18.5	16.1	M16×2.0
SK50	97.5	69.85	91.25	80	25	101.75	35.5	37.7	30	25.7	M24×3.0

**JIS B6339/ MAS 403-BT**

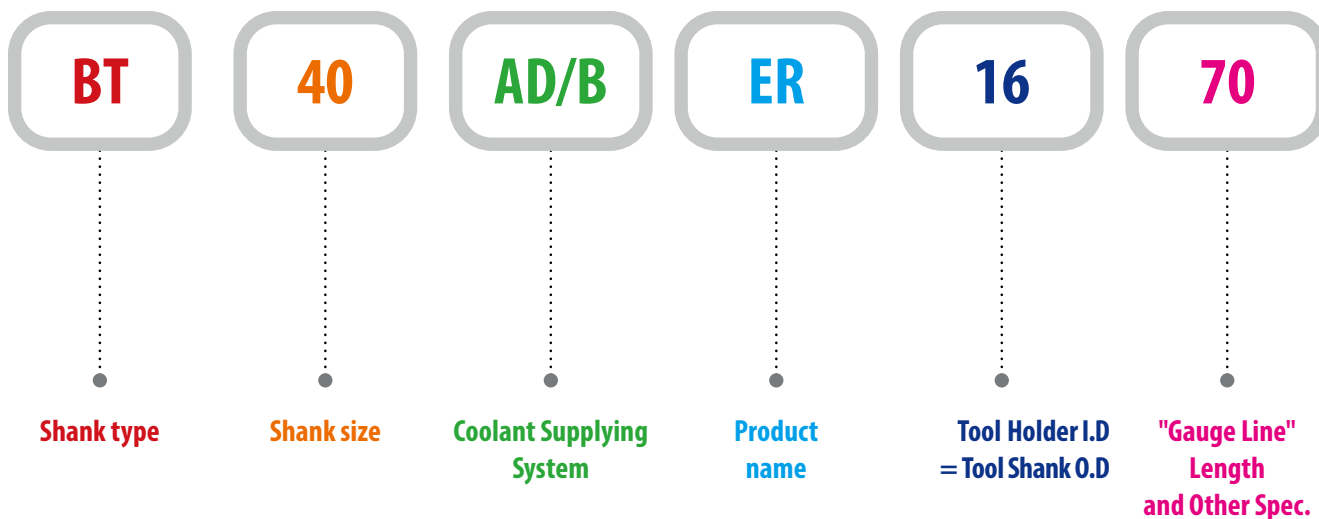


Unit : mm

TAPER No.	ØD	ØD1	ØD2	Ød13.	L1	L2	L3	L4	A	b	M
BT30	46	31.75	38	12.5	48.4	16.3	13.6	20	2	16.1	M12×1.75
BT40	63	44.45	53	17	65.4	22.6	16.6	25	2	16.1	M16×2
BT50	100	69.85	85	25	101.8	35.4	23.2	35	3	25.7	M24×3
BT60	155	107.95	135	31	161.8	60.1	28.2	45	3	25.7	M30×3.5

# MODEL NUMBERING SYSTEM & SURFACE FINISH

## Model Numbering System



## Surface Finish

