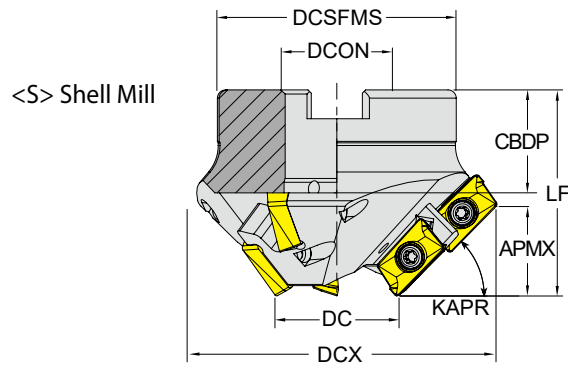


Milling - Taper Milling - Cutter

Cutters for APKT

2 Corner Positive

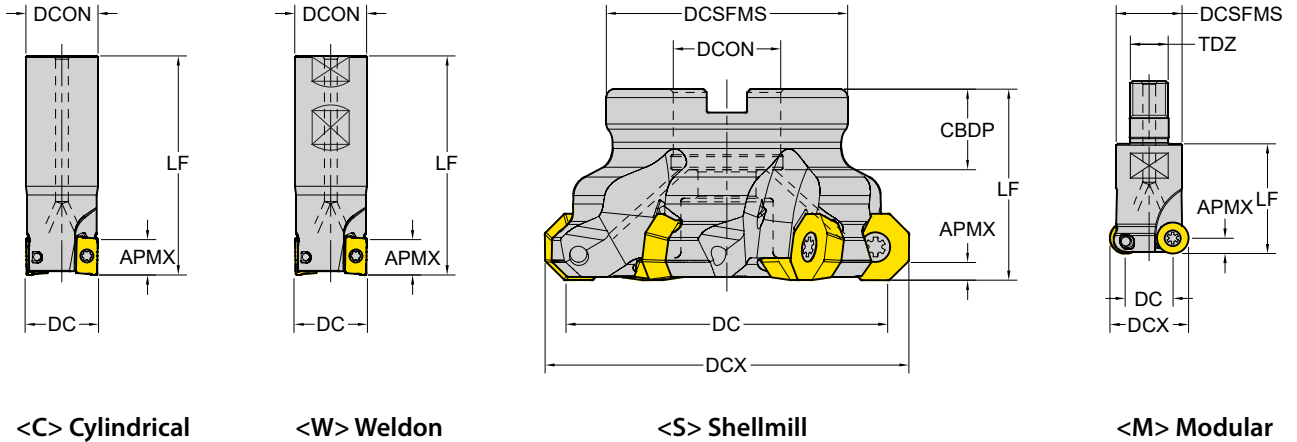


ZEFP : Effective Number of Cutting Edges
 CICT : Number of Inserts
 CBDP : Connection Bore Depth

: p.136 unit:mm

Series	KAPR	APMX	Designation	EDP 1700..	DC	DCX	ZEFP	CICT	LF	TYPE	DCON	CBDP	DCSFMS	
APKT 1604	15	8.0	F15 - APKT16 - D35AP8Z306S27	0630	35	93	3	6	50	Shellmill	27	25	58	●
	45	21.5	F45 - APKT16 - D35AP21Z306S27	0631	35	77	3	6	50		27	25	58	●
	60	26.5	F60 - APKT16 - D35AP26Z306S22	0632	35	65	3	6	50		22	22	48	●
	75	29.5	F75 - APKT16 - D35AP29Z306S22	0633	35	50	3	6	50		22	22	42	●

Code Keys - Milling Cutters

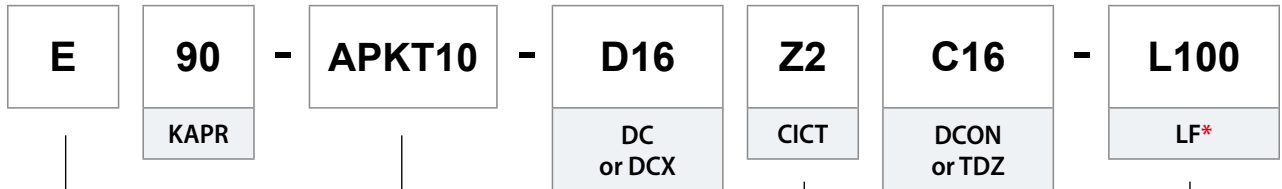


Entering Cutting Angle
(90°)

Cutter Diameter
(Ø16)

Connection Type and Size

C - Cylindrical W - Weldon
S - Shellmill M - Modular
(Cylindrical Ø16)



Cutter Type
E - Endmill Type
F - Facemill Type
M - Modular Type

Insert Series
(APKT 10)

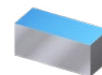
Number of Teeth
(Z=2)

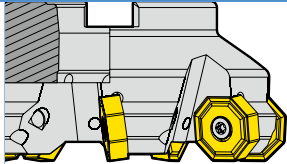

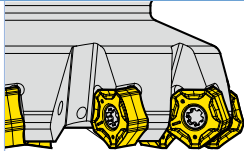

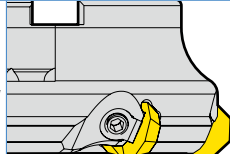
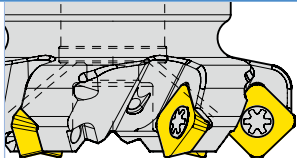
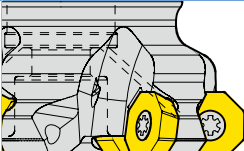

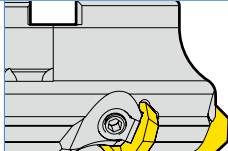
Functional Length
(100mm)

Milling Cutters Overview

Mounting Bolt : p. 197

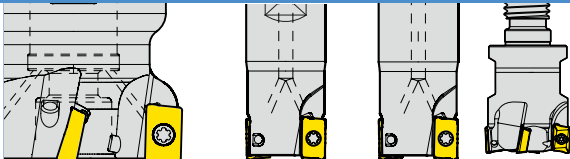


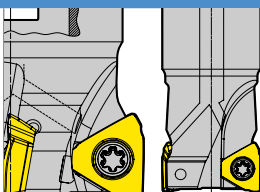


Face Milling



Negative Octagonal		Negative Square		
Cutter	 ONMU 0806	 SNMX 1206		
APMX	5.5		6	
DC	Ø63~315		Ø50~200	
page	185		192	
Negative 10 Corner		Positive Octagonal		
Cutter	 PNMU 1206	 ODMT/ODMW 0605	 OFER 0704	
APMX	4	3.5	5	
DC	Ø50~125	Ø63~125	Ø63~160	
page	186	184	184	
Positive Square			ISO	
Cutter	 SEKT 1204	 SEKT 12T3	 SEGT 1204	 SPKN/SPKR/SPCN 1203
APMX	6	6	6	8
DC	Ø40~160	Ø50~160	Ø50~160	Ø50~200
page	190	190	190	191

Shoulder Milling



2 Corner Positive		ISO		
Cutter	 APKT 1003	 APKT 1604		
APMX	9	14		
DC	Ø16~100	Ø25~200		
page	178-179	180-181		
3 Corner Positive		ISO		
Cutter	 TPKT 1104	 TPKT 1605	 TPKN/TPKR/TPCN 1603	 TPKN/TPKR/TPCN 2204
APMX	7.0	11.0	12	18
DC	20~63	32~200	Ø50~125	Ø63~315
page	194	195	193	193

TURNING

PARTING & GROOVING

MILLING

DRILLING

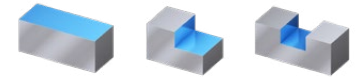
TECHNICAL INFORMATION

Click/Touch each page number and move to the very page!

Milling Cutters Overview

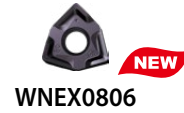
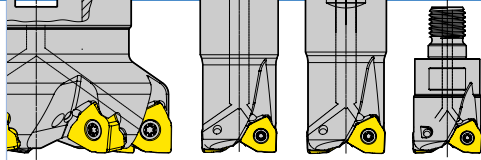
Mounting Bolt : p. 197

Shoulder Milling



6 Corner Negative

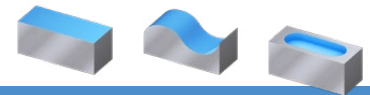
Cutter



WNEX0806

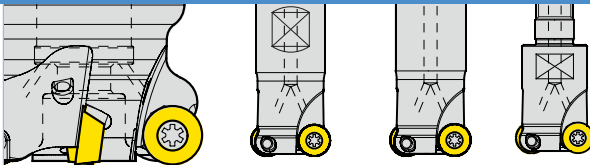
APMX	7
DC	Ø32~125
page	196

Profiling



Round Positive

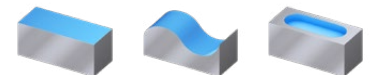
Cutter



RDKT / RDKW

	0802	10T3	1204
APMX	4	5	6
DCX	Ø16~25	Ø20~63	Ø25~100
page	187	187	188

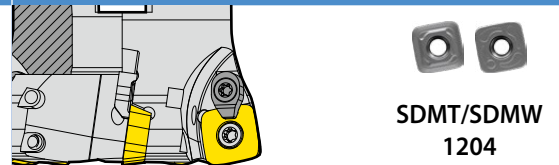
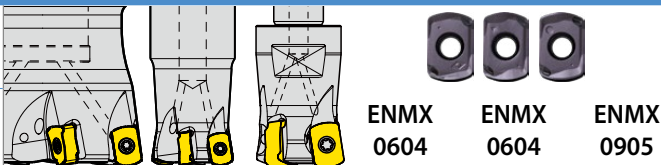
High Feed Milling



Negative 4 Corner

Positive 4 Corner

Cutter

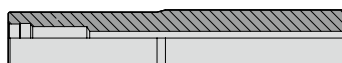


	ENMX 0604	ENMX 0604	ENMX 0905	SDMT/SDMW 1204
APMX	0.9	1	1.5	1.8
DCX	Ø16~18	Ø20~50	Ø25~125	Ø32~100
page	182	182	183	189

Modular Shank

Modular Shank for Modular Head

Cutter



M08 ~ M16

page	197
------	-----