

Milling - Profiling - Cutter

Cutters for RPMT, RPMW

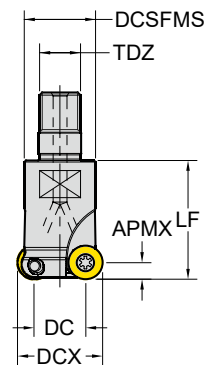
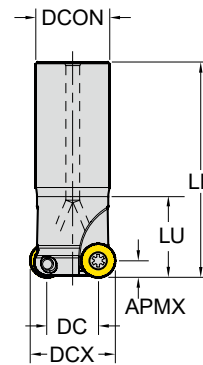
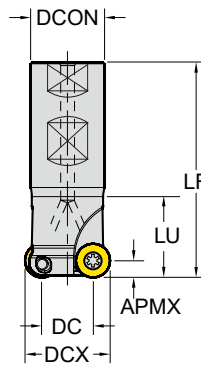
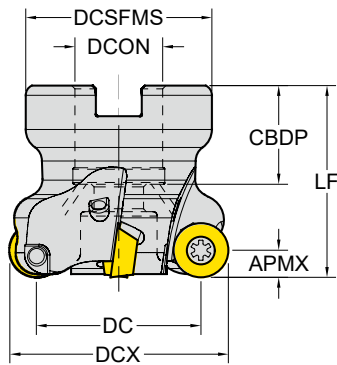
Round Positive

<S> Shell Mill

<W> Weldon

<C> Cylindrical

<M> Modular

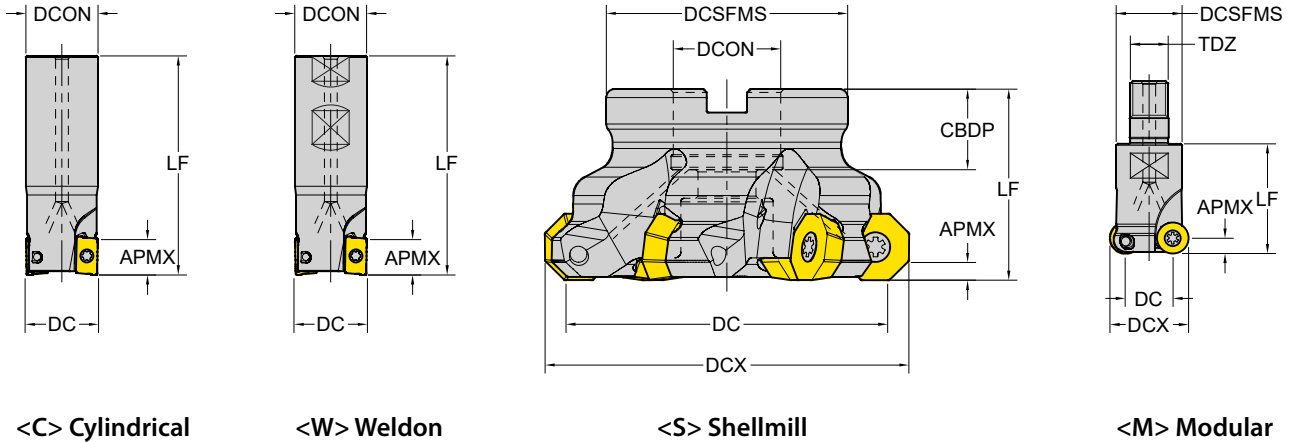


ZEFP : Effective Number of Cutting Edges
 CBDP : Connection Bore Depth

□ : p. 131 unit:mm

Series	APMX	Designation	EDP 1700..	DC	DCX	ZEFP	LU	LF	TYPE	DCON	CBDP	DCSFMS	☉
RPMT RPMW 08T2	4.0	E - RPMT08 - D20Z2W20 - L150	0590	12	20	2	60	150	Weldon	20	-	-	●
		E - RPMT08 - D25Z3W25 - L200	0591	17	25	3	100	200		25	-	-	●
		M - RPMT08 - D20Z2M10	0592	12	20	2	-	30	Modular	M10	-	18	●
RPMT RPMW 10T3	5.0	E - RPMT10 - D25Z2W25 - L200	0593	15	25	2	100	200	Weldon	25	-	-	●
		M - RPMT10 - D25Z2M12	0594	15	25	2	-	35	Modular	M12	-	21	●
		M - RPMT10 - D32Z3M16	0595	22	32	3	-	43		M16	-	29	●
RPMT RPMW 1204	6.0	E - RPMT12 - D32Z3W32 - L150	0596	20	32	3	60	150	Weldon	32	-	-	●
		E - RPMT12 - D32Z3W32 - L200	0597	20	32	3	100	200		32	-	-	●
		F - RPMT12 - D50Z4S22	0598	38	50	4	-	50	Shellmill	22	22	42	●
		F - RPMT12 - D52Z5S22	0599	40	52	5	-	50		22	22	42	●
		F - RPMT12 - D63Z5S22	0600	51	63	5	-	50		22	22	48	●
		F - RPMT12 - D80Z6S27	0601	68	80	6	-	50		27	25	58	●
		M - RPMT12 - D32Z3M16	0602	20	32	3	-	43	Modular	M16	-	29	●
		M - RPMT12 - D40Z4M16	0603	28	40	4	-	43		M16	-	29	●

Code Keys - Milling Cutters

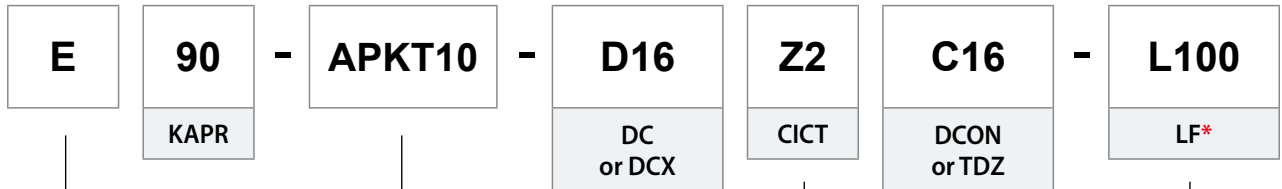


Entering Cutting Angle
(90°)

Cutter Diameter
(Ø16)

Connection Type and Size

C - Cylindrical W - Weldon
S - Shellmill M - Modular
(Cylindrical Ø16)



Cutter Type
E - Endmill Type
F - Facemill Type
M - Modular Type

Insert Series
(APKT 10)

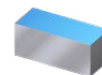
Number of Teeth
(Z=2)

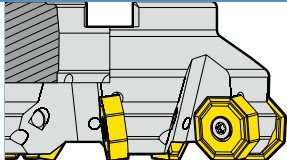

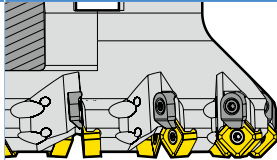

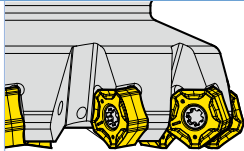

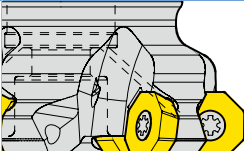

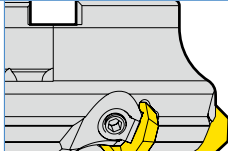

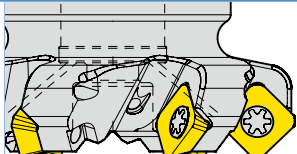



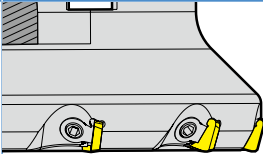

Functional Length
(100mm)

Milling Cutters Overview

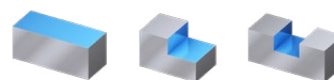
Mounting Bolt : p. 197

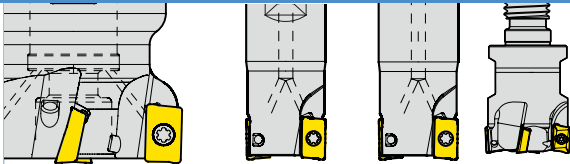


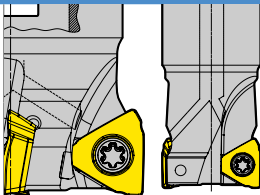


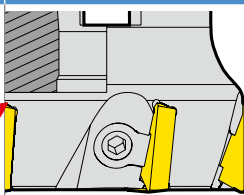


Face Milling



Negative Octagonal		Negative Square	
Cutter	 	 	
APMX	5.5		6
DC	Ø63~315		Ø50~200
page	185		192
Negative 10 Corner		Positive Octagonal	
Cutter	 	 	 
APMX	4	3.5	5
DC	Ø50~125	Ø63~125	Ø63~160
page	186	184	184
Positive Square			ISO
Cutter	   		 
APMX	6	6	6
DC	Ø40~160	Ø50~160	Ø50~160
page	190	190	190
			191

Shoulder Milling



2 Corner Positive		ISO	
Cutter			
APMX		9	14
DC		Ø16~100	Ø25~200
page		178-179	180-181
3 Corner Positive		ISO	
Cutter	  	  	
APMX	7.0	11.0	12
DC	20~63	32~200	Ø50~125
page	194	195	193
			193

TURNING

PARTING & GROOVING

MILLING

DRILLING

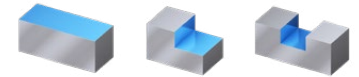
TECHNICAL INFORMATION

Click/Touch each page number and move to the very page!

Milling Cutters Overview

Mounting Bolt : p. 197

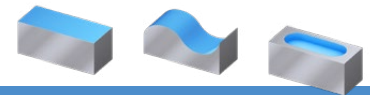
Shoulder Milling



6 Corner Negative

Cutter		NEW WNEWX0806
APMX		7
DC		Ø32~125
page		196

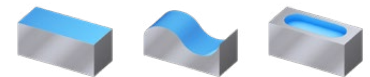
Profiling



Round Positive

Cutter		
		0802 10T3 1204
APMX		4 5 6
DCX		Ø16~25 Ø20~63 Ø25~100
page		187 187 188

High Feed Milling



Negative 4 Corner

Positive 4 Corner

Cutter				
		ENMX 0604 ENMX 0604 ENMX 0905		SDMT/SDMW 1204
APMX		0.9 1 1.5		1.8
DCX		Ø16~18 Ø20~50 Ø25~125		Ø32~100
page		182 182 183		189

Modular Shank

Modular Shank for Modular Head

Cutter		M08 ~ M16
page		197