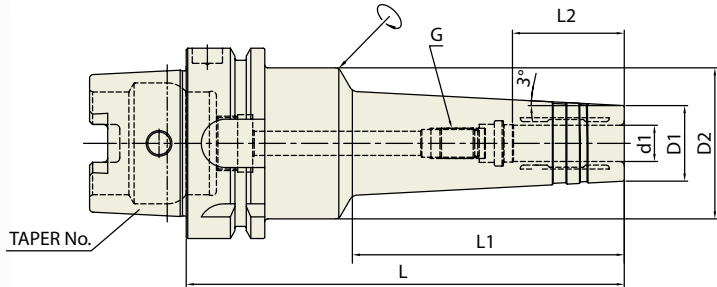


**HYDRAULIC CHUCK (For MOLD and DIE)**

**DIN 69893/  
ISO 12164-1-HSK FORM A**

HYDRAULIK SPANNFUTTER FÜR DEN FORMENBAU  
MANDRIN HYDRAULIQUE POUR MOULISTE  
MANDRINI IDRAULICI PER STAMPAGGIO  
PORTAHERRAMIENTAS HIDRAULICO PARA MOLDES



Collet  
Refer to page 43-46

Unit : mm

TAPER No.	MODEL No.	EDP No.	d1	D1	D2	L	L1	L2	G	WEIGHT (kg)
63A	HSK63A-HMC6-145	P2770801	6	20	50	145	90	27	M5×0.8	1.40
	HSK63A-HMC8-145	P2770802	8	22	50	145	90	27	M6×1.0	1.40
	HSK63A-HMC10-145	P2770803	10	24	50	145	90	32	M8×1.0	1.40
	HSK63A-HMC12-145	P2770804	12	25	50	145	90	37	M10×1.0	1.40
	HSK63A-HMC16-145	P2770805	16	32	50	145	90	42	M12×1.0	1.45
	HSK63A-HMC20-145	P2770806	20	34	50	145	90	42	M16×1.0	1.50
100A	HSK100A-HMC6-150	P2770812	6	20	50	150	90	27	M5×0.8	4.50
	HSK100A-HMC8-150	P2770807	8	22	50	150	90	27	M6×1.0	4.50
	HSK100A-HMC10-150	P2770808	10	24	50	150	90	32	M8×1.0	4.50
	HSK100A-HMC12-150	P2770809	12	25	50	150	90	37	M10×1.0	4.50
	HSK100A-HMC16-150	P2770810	16	32	50	150	90	42	M12×1.0	4.70
	HSK100A-HMC20-150	P2770811	20	34	50	150	90	42	M16×1.0	5.00

HYDRAULIC CHUCK

SHRINK FIT HOLDER

ER COLLET CHUCK

END MILL HOLDER & SIDE LOCK ARBOR

SHELL MILL ARBOR

POWER MILLING CHUCK

MORSE TAPER ARBOR

SK SLIM CHUCK

SYNCHRO TAPPING CHUCK

ONE STEP TAPPING CHUCK

TAPPING ER CHUCK

TAPPING CHUCK

FACE MILL ARBOR

COPY MILL ARBOR & INDEXABLE DRILL HOLDER

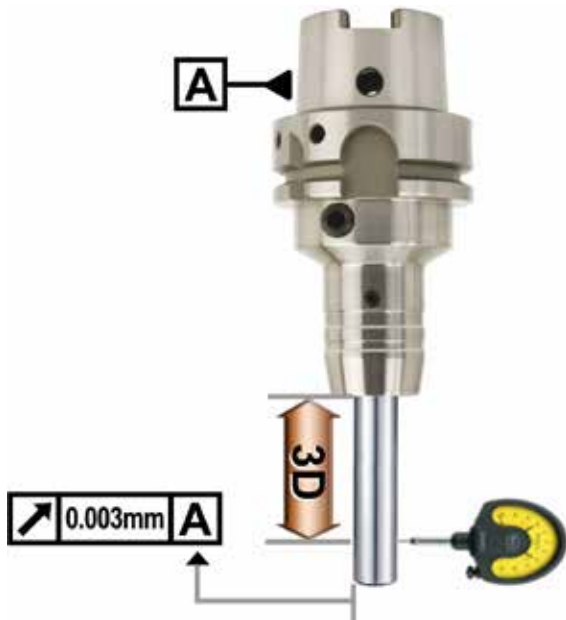
NC DRILL CHUCK & OTHER TOOL HOLDERS

BORING SYSTEM

ACCESSORY & OTHERS

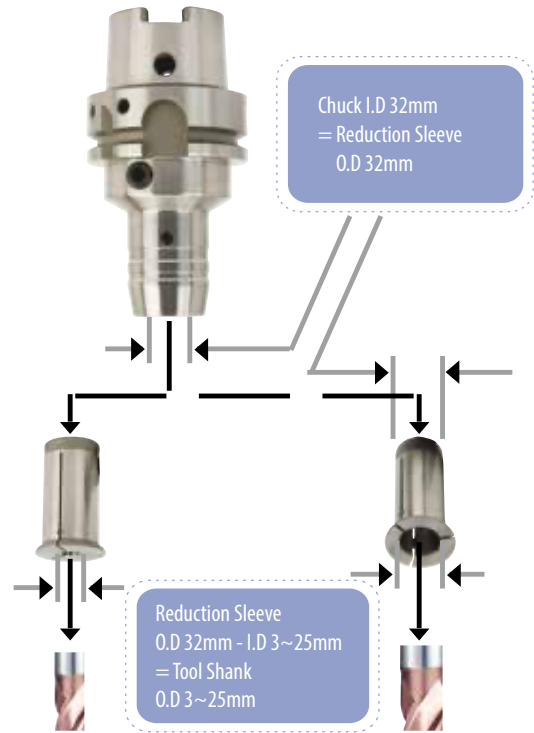
## HYDRAULIC CHUCK

- High precision T.I.R:**  
≤ 0.003mm (Without Reduction Sleeve)

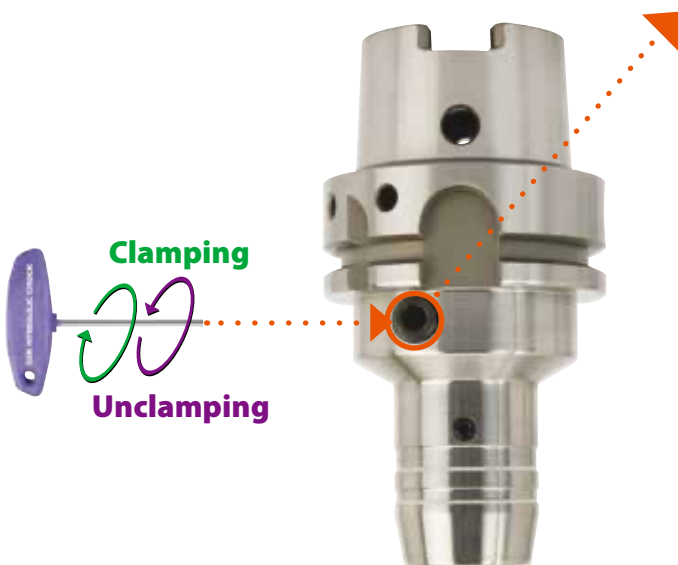


- Less than 0.003mm T.I.R =>  
Suitable for High-Speed precision machining

- Flexible use of cutting tools  
by using of reduction sleeves**

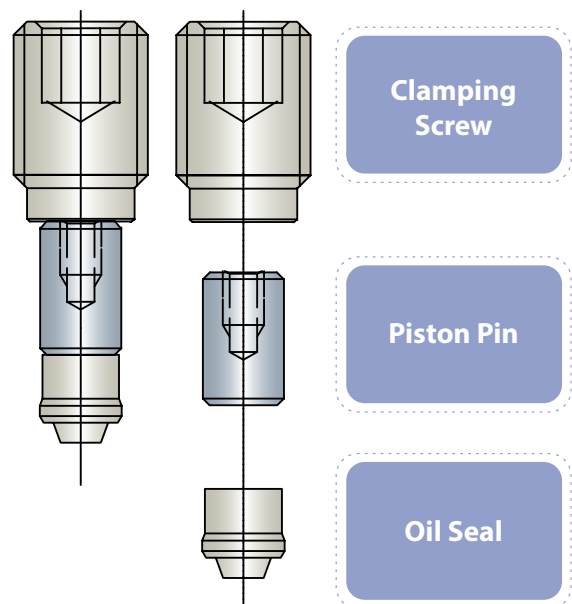


- Easy Tool Change**



- Easy clamping and unclamping by use of T wrench =>  
Reducing tool change time

### CLAMPING SCREW



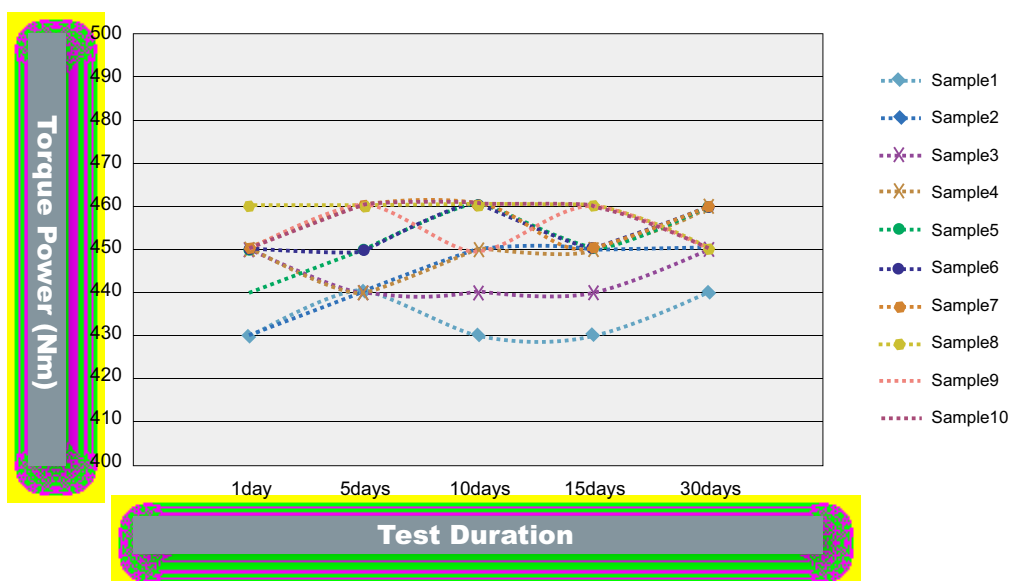
### Strong Torque Power

Hydraulic Chuck I.D(mm)	Tool Shank O.D(mm)	Applicable RPM	Minimum Clamping Depth (mm)		Min. Torque Power (Nm)	
			Slim	Power E Hydro	Slim	Power E Hydro
6	6	40,000	27		16	
8	8	40,000	27		23	
10	10	40,000	32		45	
12	12	40,000	27	41	90	110
14	14	40,000	37		110	
16	16	40,000	42		185	
18	18	40,000	42		240	
20	20	40,000	42	48	330	520
25	25	25,000	48		400	
32	32	25,000	55	57	650	900

- Tool Holder I.D Tolerance : H6
- Operating Temperature : 20~25°C
- Maximum pressure of coolant oil : 80bar



### Test of Torque Power and Hydraulic Oil Leakage



- Test Model : BT40AD/B-HC20-90
- No oil leakage for long period ⇒ Maintaining stable torque power

## HYDRAULIC CHUCK

### Radial tool length pre-setting type

- Easy to adjust pre-setting length of cutting tool  
(Saving time to pre-set cutting tool to one fifth compared with conventional Hydraulic Chuck)
- Precise adjustment of cutting tool length
- Designed to separate tool length adjustment screw from clamping screw



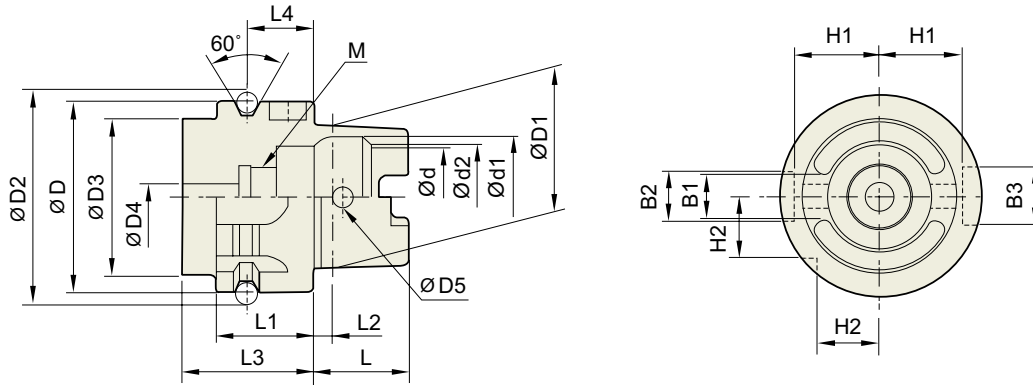
Adjustable range of cutting tool length : 0~10mm

APPLICATION		
<p><b>Milling</b></p>	<p><b>High-Speed Cutting</b></p>	<p><b>Fine Drilling</b></p>
<p><b>Reaming</b></p>	<p><b>Tapping &amp; Thread Milling</b></p>	<p><b>Chamfering</b></p>



**TECHNICAL DATA : SHANK STANDARD**

**DIN 69893/  
ISO12164-1-HSK**



Unit : mm

TAPER No.	ØD	ØD1	ØD2	ØD3	ØD4	ØD5	L	L1	L2	L3	L4
HSK32A	32	24	37.00	26	4.2	4.0	16	20	3.2	35	16
HSK40A	40	30	45.00	34	5.0	4.6	20	20	4.0	35	16
HSK50A	50	38	59.30	42	6.8	6.0	25	26	5.0	42	18
HSK63A	63	48	72.30	53	8.4	7.5	32	26	6.3	42	18
HSK80A	80	60	88.8	68	10.2	8.5	40	26	8	42	18
HSK100A	100	75	109.75	85	12.0	12.0	50	29	10.0	45	20

Unit : mm

TAPER No.	Ød	Ød1	Ød2	B1	B2	B3	H1	H2	L4
HSK32A	17	20.5	19	7.05	7	9	13.0	9.5	M10×1.0
HSK40A	21	25.5	23	8.05	9	11	17.0	12.0	M12×1.0
HSK50A	26	32.0	29	10.54	12	14	21.0	15.5	M16×1.0
HSK63A	34	40.0	37	12.54	16	18	26.5	20.0	M18×1.0
HSK80A	42	50	46	16.04	18	20	34	25	M20×1.5
HSK100A	53	63.0	58	20.02	20	22	44.0	31.5	M24×1.5

HYDRAULIC  
CHUCK

SHRINK FIT  
HOLDER

ER COLLET  
CHUCK

END MILL  
HOLDER &  
SIDE LOCK  
ARBOR

SHELL MILL  
ARBOR

POWER  
MILLING  
CHUCK

MORSE  
TAPER  
ARBOR

SK SLIM  
CHUCK

SYNCHRO  
TAPPING  
CHUCK

ONE STEP  
TAPPING  
CHUCK

TAPPING  
ER CHUCK

TAPPING  
CHUCK

FACE MILL  
ARBOR

COPY MILL  
ARBOR &  
INDEXABLE  
DRILL HOLDER

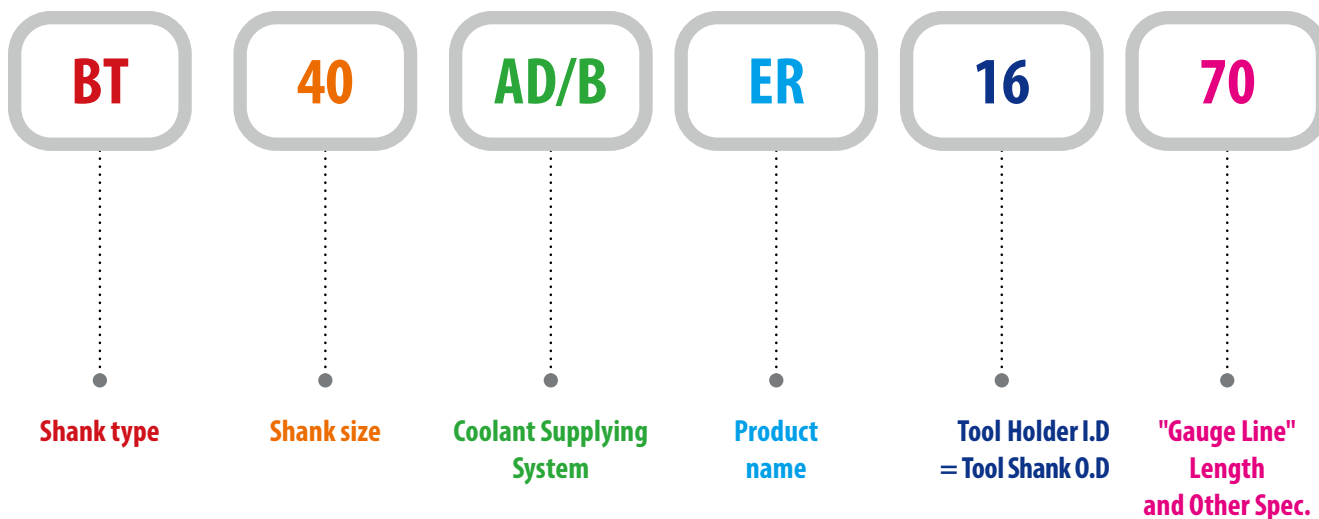
NC DRILL  
CHUCK &  
OTHER TOOL  
HOLDERS

BORING  
SYSTEM

ACCESSORY  
& OTHERS

# MODEL NUMBERING SYSTEM & SURFACE FINISH

## Model Numbering System



## Surface Finish

