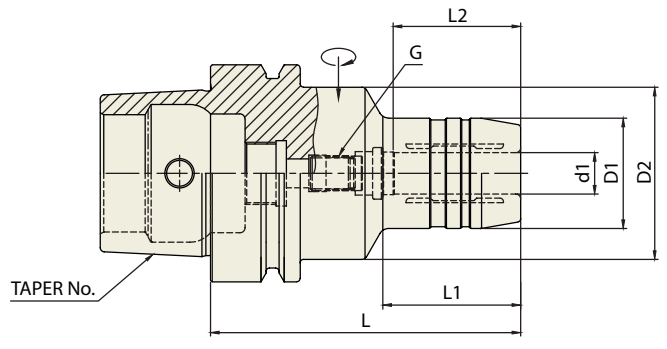


HYDRAULIC CHUCK (SLIM)

**DIN 69893/
ISO 12164-1-HSK FORM E & F**

HYDRAULIK SPANNFUTTER (SCHLANK)
MANDRIN HYDRAULIQUE (MINCE)
MANDRINI IDRAULICI (SOTTILE)
PORTAHERRAMIENTAS HIDRAULICO (DELGADO)



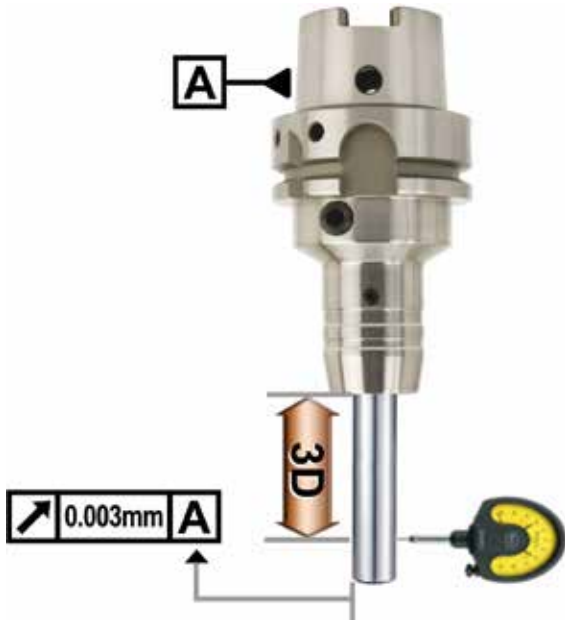
Collet
Refer to page 43-46

TAPER No	MODEL No.	EDP No.	d1	D1	D2	L	L1	L2	G	WEIGHT (kg)
40E	HSK40E-HC6-70	P2770451	6	26	34	70	36	27	M5x0.8	0.55
	HSK40E-HC8-70	P2770452	8	28	34	70	36	27	M6x1.0	0.55
	HSK40E-HC10-75	P2770453	10	30	34	75	42	32	M6x1.0	0.65
	HSK40E-HC12-80	P2770454	12	32	34	80	48	37	M6x1.0	0.70
50E	HSK50E-HC6-70	P2770455	6	26	40	70	28	27	M5x0.8	0.65
	HSK50E-HC8-70	P2770456	8	28	40	70	28	27	M6x1.0	0.65
	HSK50E-HC10-75	P2770457	10	30	40	75	34	32	M8x1.0	0.70
	HSK50E-HC12-85	P2770458	12	32	40	85	44	37	M10x1.0	0.75
	HSK50E-HC16-90	P2770459	16	38	53	90	30	42	M12x1.0	0.90
63F	HSK50E-HC20-90	P2770460	20	42	60	90	29	42	M16x1.0	1.00
	HSK63F-HC20-85	P2770461	20	42	50	85	46	42	M12x1.0	1.20

Unit : mm

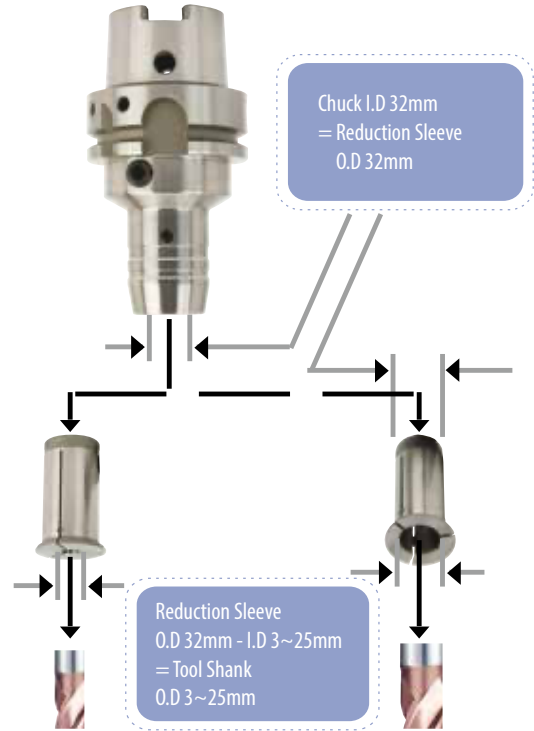
HYDRAULIC CHUCK

- High precision T.I.R:**
≤ 0.003mm (Without Reduction Sleeve)

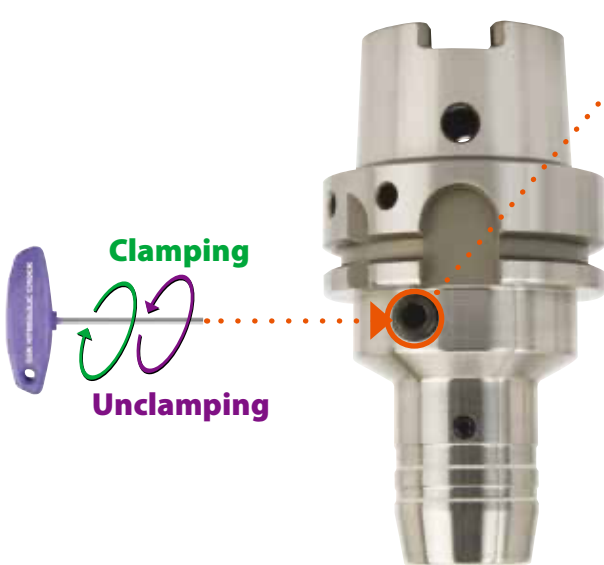


- Less than 0.003mm T.I.R =>
Suitable for High-Speed precision machining

- Flexible use of cutting tools
by using of reduction sleeves**

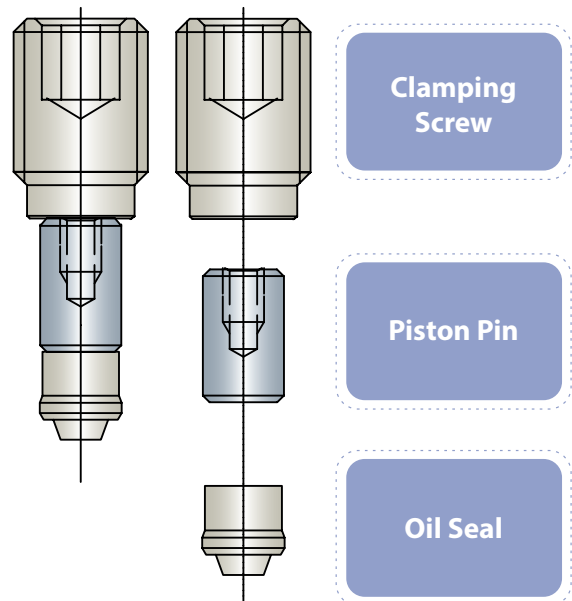


- Easy Tool Change**



- Easy clamping and unclamping by use of T wrench =>
Reducing tool change time

CLAMPING SCREW



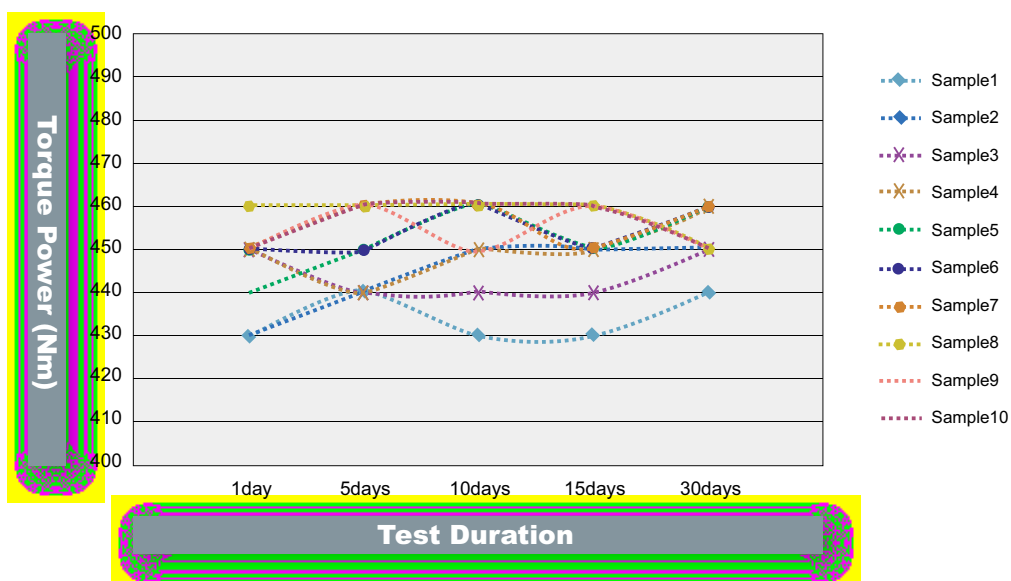
Strong Torque Power

Hydraulic Chuck I.D(mm)	Tool Shank O.D(mm)	Applicable RPM	Minimum Clamping Depth (mm)		Min. Torque Power (Nm)	
			Slim	Power E Hydro	Slim	Power E Hydro
6	6	40,000	27		16	
8	8	40,000	27		23	
10	10	40,000	32		45	
12	12	40,000	27	41	90	110
14	14	40,000	37		110	
16	16	40,000	42		185	
18	18	40,000	42		240	
20	20	40,000	42	48	330	520
25	25	25,000	48		400	
32	32	25,000	55	57	650	900

- Tool Holder I.D Tolerance : H6
- Operating Temperature : 20~25°C
- Maximum pressure of coolant oil : 80bar



Test of Torque Power and Hydraulic Oil Leakage



- Test Model : BT40AD/B-HC20-90
- No oil leakage for long period ⇒ Maintaining stable torque power

HYDRAULIC CHUCK

Radial tool length pre-setting type

- Easy to adjust pre-setting length of cutting tool
(Saving time to pre-set cutting tool to one fifth compared with conventional Hydraulic Chuck)
- Precise adjustment of cutting tool length
- Designed to separate tool length adjustment screw from clamping screw



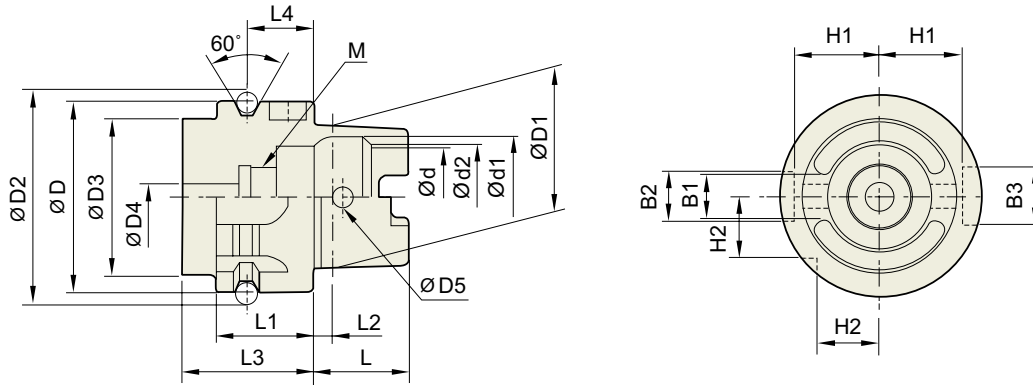
Adjustable range of cutting tool length : 0~10mm

APPLICATION		
Milling 	High-Speed Cutting 	Fine Drilling
Reaming 	Tapping & Thread Milling 	Chamfering



TECHNICAL DATA : SHANK STANDARD

**DIN 69893/
ISO12164-1-HSK**



Unit : mm

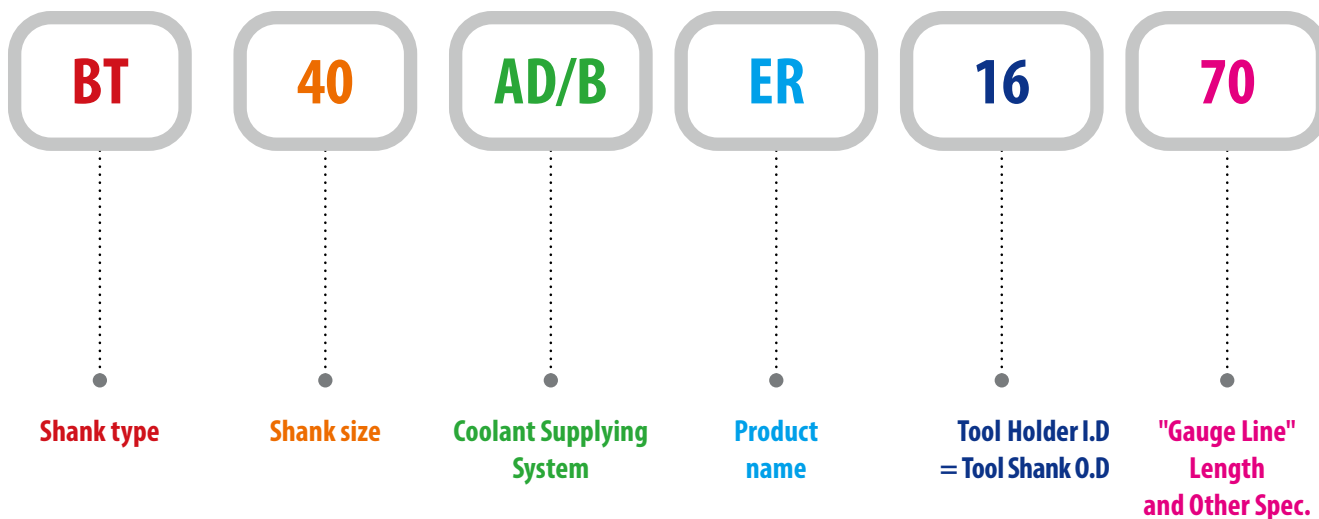
TAPER No.	$\varnothing D$	$\varnothing D1$	$\varnothing D2$	$\varnothing D3$	$\varnothing D4$	$\varnothing D5$	L	L1	L2	L3	L4
HSK32A	32	24	37.00	26	4.2	4.0	16	20	3.2	35	16
HSK40A	40	30	45.00	34	5.0	4.6	20	20	4.0	35	16
HSK50A	50	38	59.30	42	6.8	6.0	25	26	5.0	42	18
HSK63A	63	48	72.30	53	8.4	7.5	32	26	6.3	42	18
HSK80A	80	60	88.8	68	10.2	8.5	40	26	8	42	18
HSK100A	100	75	109.75	85	12.0	12.0	50	29	10.0	45	20

Unit : mm

TAPER No.	$\varnothing d$	$\varnothing d1$	$\varnothing d2$	B1	B2	B3	H1	H2	L4
HSK32A	17	20.5	19	7.05	7	9	13.0	9.5	M10×1.0
HSK40A	21	25.5	23	8.05	9	11	17.0	12.0	M12×1.0
HSK50A	26	32.0	29	10.54	12	14	21.0	15.5	M16×1.0
HSK63A	34	40.0	37	12.54	16	18	26.5	20.0	M18×1.0
HSK80A	42	50	46	16.04	18	20	34	25	M20×1.5
HSK100A	53	63.0	58	20.02	20	22	44.0	31.5	M24×1.5

MODEL NUMBERING SYSTEM & SURFACE FINISH

Model Numbering System



Surface Finish

