



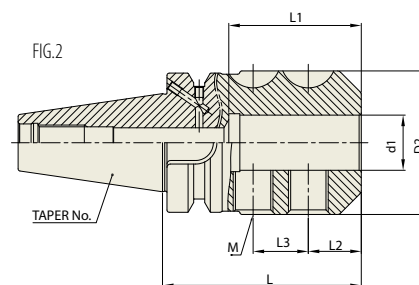
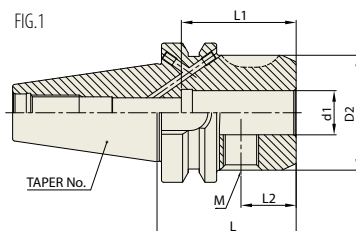
# END MILL HOLDER & SIDE LOCK ARBOR

**EMH**

## END MILL HOLDER

FRÄSERFUTTER UND FLÄCHENSANNFUTTER  
 MANDRIN PORTE FRAISE À QUEUE CYLINDRIQUE, À MÉPLAT  
 MANDRINI PORTA FRESA TIPO WELDON  
 PORTAFRESAS Y EJES DE SUJECCION LATERAL

**JIS B6339/  
MAS 403-BT**



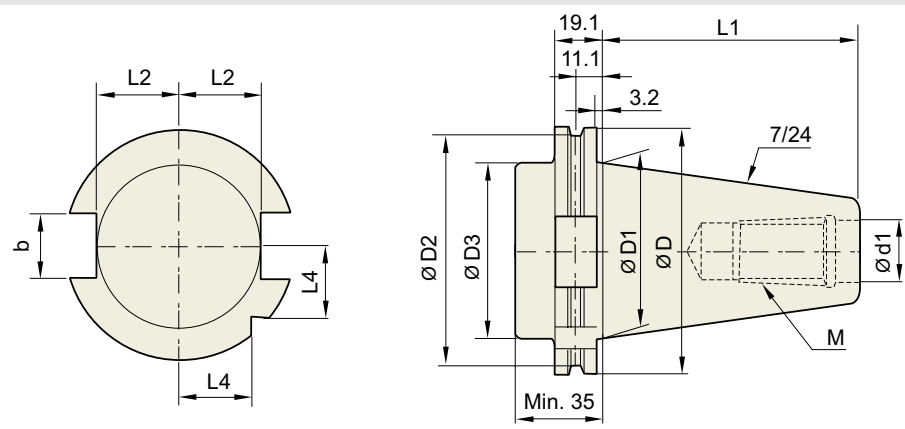
Unit : mm

TAPER No.	MODEL No.	EDP No.	d1	D2	L	L1	L2	L3	M	FIG.	WEIGHT (kg)
30	BT30-EMH6-50	P2772951A	6	25	50	35	18	-	M6	1	0.47
	BT30-EMH8-50	P2772952A	8	28	50	35	18	-	M8	1	0.49
	BT30-EMH10-50	P2772953A	10	35	50	35.5	20	-	M10	1	0.55
	BT30-EMH12-55	P2772954A	12	42	50	36	22.5	-	M12	1	0.67
	BT30-EMH14-55	P2772955A	14	44	55	36	22.5	-	M12	1	0.68
	BT30-EMH16-63	P2772956A	16	48	63	46	24	-	M14	1	0.83
	BT30-EMH18-63	P2772958A	18	50	63	46	24	-	M14	1	0.85
	BT30-EMH20-70	P2772957A	20	52	70	48	25	-	M16	1	0.98
40	BT40AD/B-EMH6-50	P2773031	6	25	50	35	18	-	M6	1	1.00
	BT40AD/B-EMH8-50	P2773032	8	28	50	35	18	-	M8	1	1.00
	BT40AD/B-EMH10-63	P2773033	10	35	63	39	20	-	M10	1	1.10
	BT40AD/B-EMH12-63	P2773034	12	42	63	44	22.5	-	M12	1	1.30
	BT40AD/B-EMH14-63	P2773035	14	44	63	49	22.5	-	M12	1	1.40
	BT40AD/B-EMH16-63	P2773036	16	48	63	52	24	-	M14	1	1.70
	BT40AD/B-EMH18-63	P2773037	18	50	63	50	24	-	M14	1	1.70
	BT40AD/B-EMH20-63	P2773038	20	52	63	52	25	-	M16	1	1.80
	BT40AD/B-EMH25-90	P2773039	25	65	90	60	24	25	M18	2	1.80
	BT40AD/B-EMH32-100	P2773040	32	72	100	64	24	28	M20	2	2.00
50	BT50AD/B-EMH6-63	P2773041	6	25	63	35	18	-	M6	1	3.30
	BT50AD/B-EMH8-63	P2773042	8	28	63	35	18	-	M8	1	3.60
	BT50AD/B-EMH10-65	P2773043	10	35	65	39	20	-	M10	1	3.80
	BT50AD/B-EMH12-80	P2773044	12	42	80	46	22.5	-	M12	1	3.80
	BT40AD/B-EMH14-80	P2773045	14	44	80	46	22.5	-	M12	1	4.00
	BT50AD/B-EMH16-80	P2773046	16	48	80	49	24	-	M14	1	4.00
	BT50AD/B-EMH18-80	P2773047	18	50	80	49	24	-	M14	1	4.20
	BT50AD/B-EMH20-80	P2773048	20	52	80	52	25	-	M16	1	4.20
	BT50AD/B-EMH25-100	P2773049	25	65	100	60	24	25	M18	2	4.60
	BT50AD/B-EMH32-105	P2773050	32	72	105	64	24	28	M20	2	4.70
	BT50AD/B-EMH40-120	P2773051	40	80	120	73	30	32	M20	2	4.90

- ▶ CAT(ANSI B5.50) taper and Inch type products are available.
- ▶ Standard End Mill Holder is for a cutting tool with Weldon shank and End Mill Holder for a cutting tool with Whistle notch is available upon request.
- ▶ Combi-style holder with ball jointed clamping screw which can be used with cutting tools with Weldon and Whistle notch shank is available.

**TECHNICAL DATA : SHANK STANDARD**

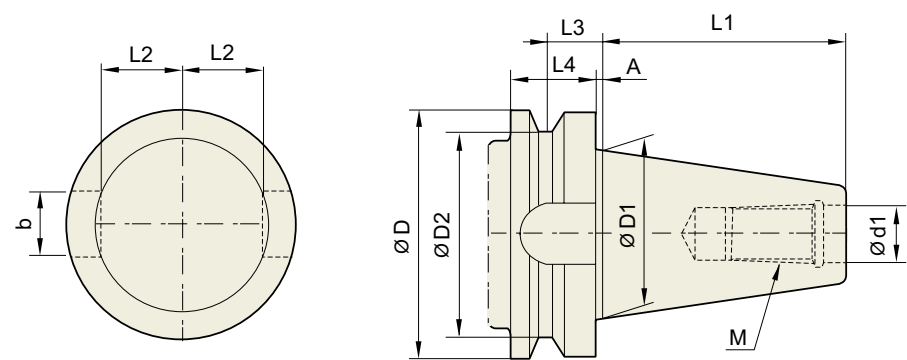
**DIN 69871-SK**



Unit : mm

TAPER No.	ØD	ØD1	ØD2	ØD3	Ød1	L1	L2	L3	L4	b	M
<b>SK30</b>	50	31.75	44.3	45	13	47.8	16.4	19	15	16.1	M12×1.75
<b>SK40</b>	63.55	44.45	56.25	50	17	68.4	22.8	25	18.5	16.1	M16×2.0
<b>SK50</b>	97.5	69.85	91.25	80	25	101.75	35.5	37.7	30	25.7	M24×3.0

**JIS B6339/  
MAS 403-BT**

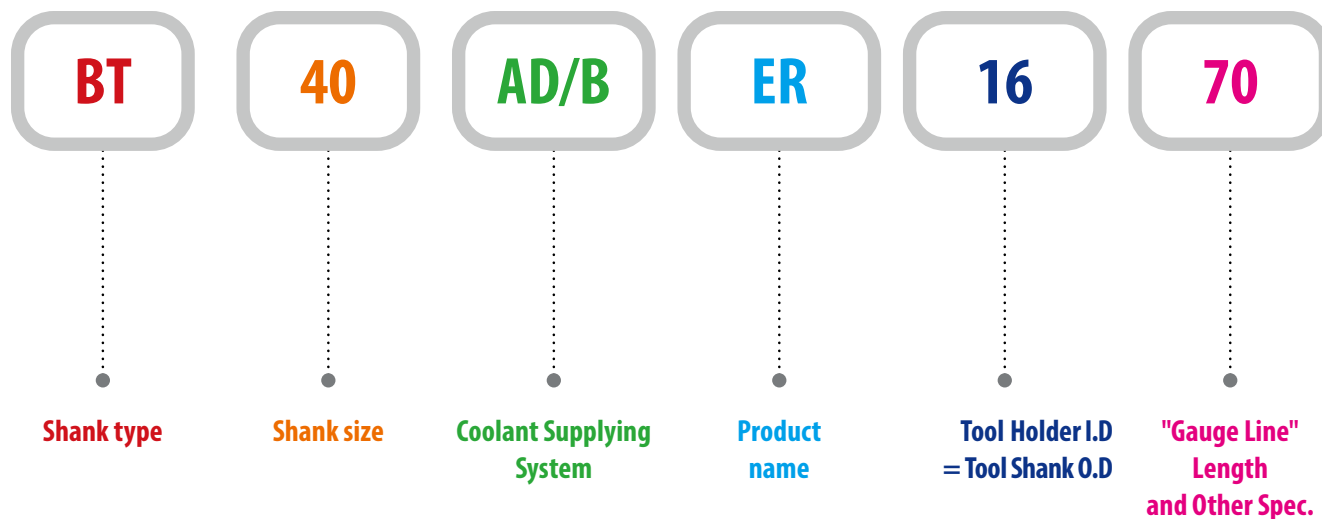


Unit : mm

TAPER No.	ØD	ØD1	ØD2	Ød13.	L1	L2	L3	L4	A	b	M
<b>BT30</b>	46	31.75	38	12.5	48.4	16.3	13.6	20	2	16.1	M12×1.75
<b>BT40</b>	63	44.45	53	17	65.4	22.6	16.6	25	2	16.1	M16×2
<b>BT50</b>	100	69.85	85	25	101.8	35.4	23.2	35	3	25.7	M24×3
<b>BT60</b>	155	107.95	135	31	161.8	60.1	28.2	45	3	25.7	M30×3.5

# MODEL NUMBERING SYSTEM & SURFACE FINISH

## Model Numbering System



## Surface Finish

