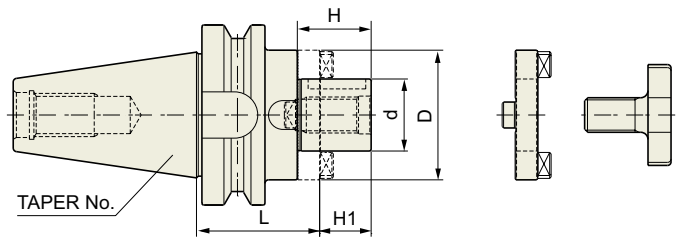


**COMBI-SHELL MILL ARBOR**

**JIS B6339/  
MAS 403-BT**

KOMBI-AUFNAHMEDORN FÜR FRÄSER MIT BOHRUNG  
MANDRIN PORTE-FRAISES COMBINÉS  
MANDRINO PORTA FRESE  
PORTA FRESAS COMBINADO



Parts, Refer to page 160

◆ **STANDARD**

Unit : mm

TAPER No.	MODEL No.	EDP No.	d	L	D	H1	H	PART No.	WEIGHT (kg)
30	BT30-CMA16-50	P2544001	16	50	32	17	27	27, 33, 39	0.61
	BT30-CMA22-50	P2544002	22	50	40	19	31	28, 34, 40	0.70
	BT30-CMA27-55	P2544003	27	55	48	21	33	29, 35, 41	0.92
40	BT40-CMA16-55	P2544004	16	55	32	17	27	27, 33, 39	1.14
	BT40-CMA22-55	P2544005	22	55	40	19	31	28, 34, 40	1.26
	BT40-CMA27-55	P2544006	27	55	48	21	33	29, 35, 41	1.42
	BT40-CMA32-60	P2544007	32	60	58	24	38	30, 36, 42	1.72
50	BT40-CMA40-70	P2544024	40	70	70	27	41	31, 37, 43	2.46
	BT50-CMA16-70	P2544009	16	70	32	17	27	27, 33, 39	3.74
	BT50-CMA22-70	P2544010	22	70	40	19	31	28, 34, 40	3.86
	BT50-CMA27-70	P2544011	27	70	48	21	33	29, 35, 41	4.04
	BT50-CMA32-70	P2544012	32	70	58	24	38	30, 36, 42	4.28
	BT50-CMA40-70	P2544013	40	70	70	27	41	31, 37, 43	4.62
	BT50-CMA50-70	P2544014	50	70	90	30	46	32, 38, 44	5.48

◆ **EXTENDED**

Unit : mm

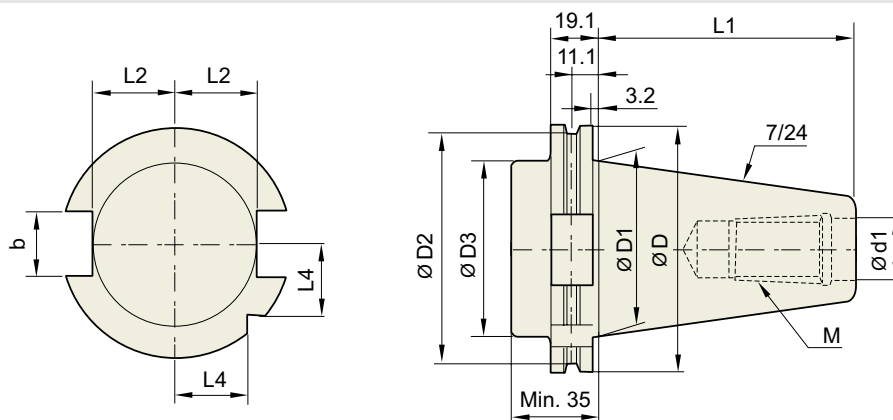
TAPER No.	MODEL No.	EDP No.	d	L	D	H1	H	PART No.	WEIGHT (kg)
40	BT40-CMA16-100	P2544015	16	100	32	17	27	27, 33, 39	1.41
	BT40-CMA22-100	P2544016	22	100	40	19	31	28, 34, 40	1.68
	BT40-CMA27-100	P2544017	27	100	48	21	33	29, 35, 41	2.02
	BT40-CMA32-100	P2544018	32	100	58	24	38	30, 36, 42	2.51
50	BT50-CMA16-100	P2544019	16	100	32	17	27	27, 33, 39	3.92
	BT50-CMA22-100	P2544020	22	100	40	19	31	28, 34, 40	4.15
	BT50-CMA27-100	P2544021	27	100	48	21	33	29, 35, 41	4.45
	BT50-CMA32-100	P2544022	32	100	58	24	38	30, 36, 42	4.86
	BT50-CMA40-100	P2544023	40	100	70	27	41	31, 37, 43	5.47

▶ Without "Coolant Through".



TECHNICAL DATA : SHANK STANDARD

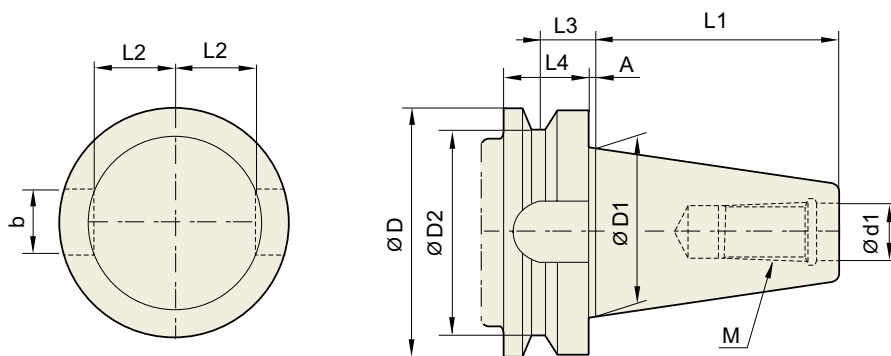
DIN 69871-SK



Unit : mm

TAPER No.	ØD	ØD1	ØD2	ØD3	Ød1	L1	L2	L3	L4	b	M
SK30	50	31.75	44.3	45	13	47.8	16.4	19	15	16.1	M12×1.75
SK40	63.55	44.45	56.25	50	17	68.4	22.8	25	18.5	16.1	M16×2.0
SK50	97.5	69.85	91.25	80	25	101.75	35.5	37.7	30	25.7	M24×3.0

JIS B6339/  
MAS 403-BT

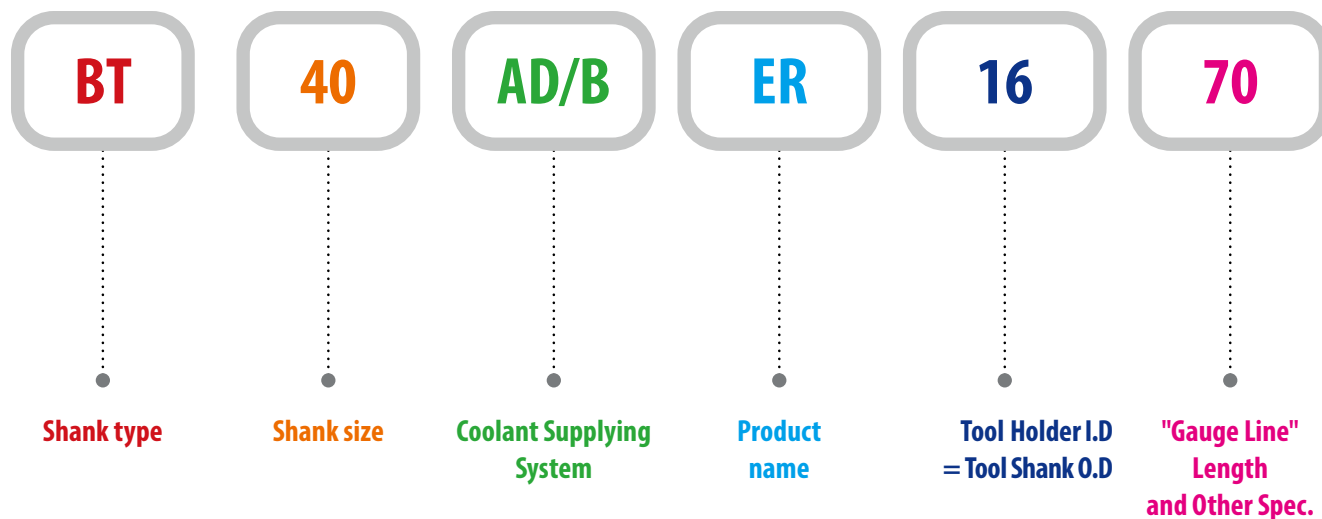


Unit : mm

TAPER No.	ØD	ØD1	ØD2	Ød13.	L1	L2	L3	L4	A	b	M
BT30	46	31.75	38	12.5	48.4	16.3	13.6	20	2	16.1	M12×1.75
BT40	63	44.45	53	17	65.4	22.6	16.6	25	2	16.1	M16×2
BT50	100	69.85	85	25	101.8	35.4	23.2	35	3	25.7	M24×3
BT60	155	107.95	135	31	161.8	60.1	28.2	45	3	25.7	M30×3.5

# MODEL NUMBERING SYSTEM & SURFACE FINISH

## Model Numbering System



## Surface Finish

