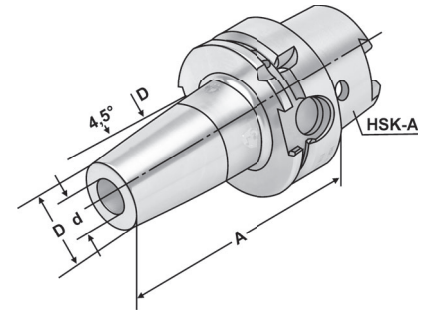


*Shrink chucks 4,5° for mounting of solid carbide and HSS-tool shanks**Mandrins de frettage 4,5° pour le serrage de queues d'outils carbures de type HM et HSS***Verwendung:**

Zur Aufnahme von Werkzeugen mit Zylinderschaft.

Application:*For mounting straight-shank tools.***Application:**

Pour le serrage d'outils avec queue cylindrique.

ISO 12164-1
(DIN 69893-1)

HSK - A

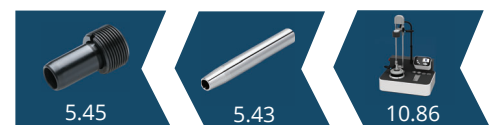
 $\lambda \leq 0,003$ G2,5
25.000 min⁻¹

5

Bestell-Nr. Order no. Référence	HSK	d	A	D	D ₁	l ₁	l ₂
A32.70.03	HSK-A 32	3	60	11	15	10	-
A32.70.04	HSK-A 32	4	60	14	15	20	5
A32.70.05	HSK-A 32	5	60	16	15	20	5
A32.70.06	HSK-A 32	6	70	21	27	36	10
A32.70.08	HSK-A 32	8	70	21	27	36	10
A32.70.10	HSK-A 32	10	70	24	29	42	10
A32.70.12	HSK-A 32	12	90	24	29	47	10
A32.70.14	HSK-A 32	14	90	27	34	47	10
A32.70.16	HSK-A 32	16	90	27	34	50	10
A32.70.20	HSK-A 32	20	100	33	40	52	10
A40.70.03	HSK-A 40	3	80	11	15	10	-
A40.70.04	HSK-A 40	4	80	14	22	20	5
A40.70.05	HSK-A 40	5	80	16	22	20	5
A40.70.06	HSK-A 40	6	80	21	27	36	10
A40.70.08	HSK-A 40	8	80	21	27	36	10
A40.70.10	HSK-A 40	10	80	24	32	42	10
A40.70.12	HSK-A 40	12	90	24	32	47	10
A40.70.14	HSK-A 40	14	90	27	34	47	10
A40.70.16	HSK-A 40	16	90	27	34	50	10
A40.70.18	HSK-A 40	18	95	33	42	50	10
A40.70.20	HSK-A 40	20	100	33	42	52	10
A40.70.25	HSK-A 40	25	100	44	51	58	10

Für Ø 3, 4 und 5 mm nur Hartmetallschäfte verwenden!*For Ø 3, 4 and 5 mm only solid carbide tool shanks must be used!*

Pour Ø 3, 4 et 5 mm il faut seulement utiliser de queues d'outils carbures de type HM!

Hinweis: Aufnahme für Induktiv-, Kontakt- und Heißluftschumpfergeräte geeignet.
Schafttoleranz bei Ø 3, 4 und 5 mm = h₄, bei Ø 6 - Ø 32 mm = h₆**Note:** *Toolholders suitable for induction-, contact- and hot air shrink units.
Ø 3, 4, 5 with h₄-tolerance and Ø 6 - Ø 32 with h₆-tolerance***Observation:** Porte-outils convenables pour machines à frotter par induction,
par contact, ou par air chaud.
Ø 3, 4, 5 avec h₄-tolerance et Ø 6 - Ø 32 avec h₆-tolerancel₁ = max. Einstecktiefel₁ = max. clamping depthl₁ = max. profondeur d'insertionl₂ = max. Verstellwegl₂ = max. length adjustment rangel₂ = max. course de réglage



Shrink chucks 4,5° for mounting of solid carbide and HSS-tool shanks

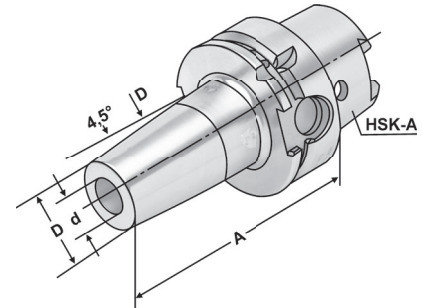
Mandrins de frettage 4,5° pour le serrage de queues d'outils carbures de type HM et HSS



Verwendung:
Zur Aufnahme von Werkzeugen mit Zylinderschaft.

Application:
For mounting straight-shank tools.

Application:
Pour le serrage d'outils avec queue cylindrique.



ISO 12164-1
(DIN 69893-1)

HSK - A

$\nabla \leq 0,003$

G2,5
25.000 min⁻¹

Bestell-Nr. Order no. Référence	HSK	d	A	D	D ₁	l ₁	l ₂
A50.70.03	HSK-A 50	3	80	11	15	10	-
A50.70.04	HSK-A 50	4	80	14	22	20	5
A50.70.05	HSK-A 50	5	80	16	22	20	5
A50.70.06	HSK-A 50	6	80	21	27	36	10
A50.70.08	HSK-A 50	8	80	21	27	36	10
A50.70.10	HSK-A 50	10	85	24	32	42	10
A50.70.12	HSK-A 50	12	90	24	32	47	10
A50.70.14	HSK-A 50	14	90	27	34	47	10
A50.70.16	HSK-A 50	16	95	27	34	50	10
A50.70.18	HSK-A 50	18	95	33	42	50	10
A50.70.20	HSK-A 50	20	100	33	42	52	10
A50.70.25	HSK-A 50	25	115	44	53	58	10
A50.70.32	HSK-A 50	32	120	44	53	62	10
A50.70.06.1	HSK-A 50	6	120	21	27	20	10
A50.70.08.1	HSK-A 50	8	120	21	27	20	10
A50.70.10.1	HSK-A 50	10	120	24	32	36	10
A50.70.12.1	HSK-A 50	12	120	24	32	36	10
A50.70.14.1	HSK-A 50	14	120	27	34	41	10
A50.70.16.1	HSK-A 50	16	120	27	34	47	10
A50.70.18.1	HSK-A 50	18	120	33	42	47	10
A50.70.20.1	HSK-A 50	20	120	33	42	50	10
A50.70.03.2	HSK-A 50	3	160	11	15	10	-
A50.70.04.2	HSK-A 50	4	160	14	22	20	5
A50.70.05.2	HSK-A 50	5	160	16	22	20	5
A50.70.06.2	HSK-A 50	6	160	21	27	36	10
A50.70.08.2	HSK-A 50	8	160	21	27	36	10
A50.70.10.2	HSK-A 50	10	160	24	32	41	10
A50.70.12.2	HSK-A 50	12	160	24	32	47	10
A50.70.14.2	HSK-A 50	14	160	27	34	47	10
A50.70.16.2	HSK-A 50	16	160	27	34	50	10
A50.70.18.2	HSK-A 50	18	160	33	42	50	10
A50.70.20.2	HSK-A 50	20	160	33	42	52	10

Hinweis: Aufnahme für Induktiv-, Kontakt- und Heißluftschumpfgeräte geeignet.
Schafttoleranz bei Ø 3, 4 und 5 mm = h₄, bei Ø 6 – Ø 32 mm = h₆

Note: Toolholders suitable for induction-, contact- and hot air shrink units.
Ø 3, 4, 5 with h₄-tolerance and Ø 6 – Ø 32 with h₆-tolerance

Observation: Porte-outils convenables pour machines à fretter par induction,
par contact, ou par air chaud.
Ø 3, 4, 5 avec h₄-tolerance et Ø 6 – Ø 32 avec h₆-tolerance

l₁ = max. Einstecktiefe
l₁ = max. clamping depth
l₁ = max. profondeur d'insertion
l₂ = max. Verstellweg
l₂ = max. length adjustment range
l₂ = max. course de réglage



Shrink chucks 4,5° for mounting of solid carbide and HSS-tool shanks

Mandrins de frettage 4,5° pour le serrage de queues d'outils carbures de type HM et HSS

**Verwendung:**

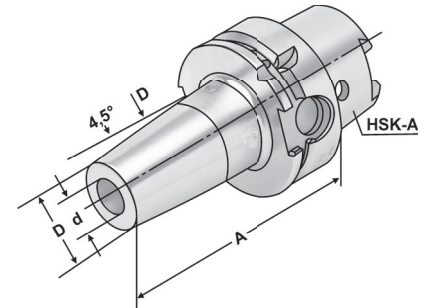
Zur Aufnahme von Werkzeugen mit Zylinderschaft.

Application:

For mounting straight-shank tools.

Application:

Pour le serrage d'outils avec queue cylindrique.

ISO 12164-1
(DIN 69893-1)

HSK - A

 $\nabla \leq 0,003$ G2.5
25.000 min⁻¹

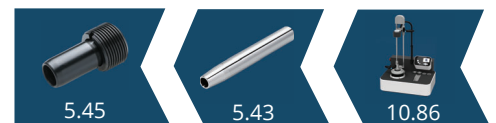
5

Bestell-Nr. Order no. Référence	HSK	d	A	D	D ₁	l ₁	l ₂
A63.70.03	HSK-A 63	3	80	11	15	10	-
A63.70.04	HSK-A 63	4	80	14	22	20	5
A63.70.05	HSK-A 63	5	80	16	22	20	5
A63.70.06	HSK-A 63	6	80	21	27	36	10
A63.70.08	HSK-A 63	8	80	21	27	36	10
A63.70.10	HSK-A 63	10	85	24	32	42	10
A63.70.12	HSK-A 63	12	90	24	32	47	10
A63.70.14	HSK-A 63	14	90	27	34	47	10
A63.70.16	HSK-A 63	16	95	27	34	50	10
A63.70.18	HSK-A 63	18	95	33	42	50	10
A63.70.20	HSK-A 63	20	100	33	42	52	10
A63.70.25	HSK-A 63	25	115	44	53	58	10
A63.70.32	HSK-A 63	32	120	44	53	61	10
A63.70.03.1	HSK-A 63	3	120	11	15	10	-
A63.70.04.1	HSK-A 63	4	120	14	22	20	5
A63.70.05.1	HSK-A 63	5	120	16	22	20	5
A63.70.06.1	HSK-A 63	6	120	21	27	36	10
A63.70.08.1	HSK-A 63	8	120	21	27	36	10
A63.70.10.1	HSK-A 63	10	120	24	32	42	10
A63.70.12.1	HSK-A 63	12	120	24	32	42	10
A63.70.14.1	HSK-A 63	14	120	27	34	47	10
A63.70.16.1	HSK-A 63	16	120	27	34	50	10
A63.70.18.1	HSK-A 63	18	120	33	42	50	10
A63.70.20.1	HSK-A 63	20	120	33	42	52	10
A63.70.25.1	HSK-A 63	25	120	44	53	58	10

Für Ø 3, 4 und 5 mm nur Hartmetallschäfte verwenden!

For Ø 3, 4 and 5 mm only solid carbide tool shanks must be used!

Pour Ø 3, 4 et 5 mm il faut seulement utiliser de queues d'outils carbures de type HM!

Hinweis: Aufnahme für Induktiv-, Kontakt- und Heißluftschumpfergeräte geeignet. Schafttoleranz bei Ø 3, 4 und 5 mm = h₄, bei Ø 6 – Ø 32 mm = h₆**Note:** Toolholders suitable for induction-, contact- and hot air shrink units. Ø 3, 4, 5 with h₄-tolerance and Ø 6 – Ø 32 with h₆-tolerance**Observation:** Porte-outils convenables pour machines à fretter par induction, par contact, ou par air chaud. Ø 3, 4, 5 avec h₄-tolerance et Ø 6 – Ø 32 avec h₆-tolerancel₁ = max. Einstecktiefel₁ = max. clamping depthl₁ = max. profondeur d'insertionl₂ = max. Verstellwegl₂ = max. length adjustment rangel₂ = max. course de réglage



Shrink chucks 4,5° for mounting of solid carbide and HSS-tool shanks

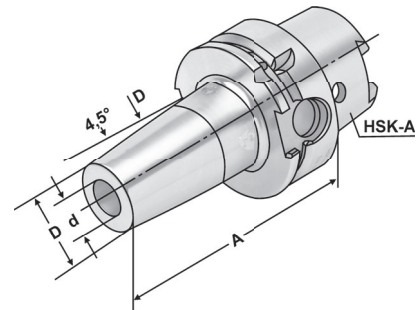
Mandrins de frettage 4,5° pour le serrage de queues d'outils carbures de type HM et HSS



Verwendung:
Zur Aufnahme von Werkzeugen mit Zylinderschaft.

Application:
For mounting straight-shank tools.

Application:
Pour le serrage d'outils avec queue cylindrique.



ISO 12164-1
(DIN 69893-1)

HSK - A

$\nabla \leq 0,003$

G2,5
25.000 min⁻¹

Bestell-Nr. Order no. Référence	HSK	d	A	D	D ₁	l ₁	l ₂
A63.70.03.2	HSK-A 63	3	160	11	15	10	-
A63.70.04.2	HSK-A 63	4	160	14	22	20	5
A63.70.05.2	HSK-A 63	5	160	16	22	20	5
A63.70.06.2	HSK-A 63	6	160	21	27	36	10
A63.70.08.2	HSK-A 63	8	160	21	27	36	10
A63.70.10.2	HSK-A 63	10	160	24	32	41	10
A63.70.12.2	HSK-A 63	12	160	24	32	47	10
A63.70.14.2	HSK-A 63	14	160	27	34	47	10
A63.70.16.2	HSK-A 63	16	160	27	34	50	10
A63.70.18.2	HSK-A 63	18	160	33	42	50	10
A63.70.20.2	HSK-A 63	20	160	33	42	52	10
A63.70.25.2	HSK-A 63	25	160	44	53	58	10
A63.70.32.2	HSK-A 63	32	160	44	53	62	10
A63.70.06.3	HSK-A 63	6	200	21	27	36	10
A63.70.08.3	HSK-A 63	8	200	21	27	36	10
A63.70.10.3	HSK-A 63	10	200	24	32	41	10
A63.70.12.3	HSK-A 63	12	200	24	32	47	10
A63.70.16.3	HSK-A 63	16	200	27	34	50	10
A63.70.20.3	HSK-A 63	20	200	33	42	52	10
A63.70.25.3	HSK-A 63	25	200	44	53	58	
A63.70.32.3	HSK-A 63	32	200	44	53	62	10

Für Ø 3, 4 und 5 mm nur Hartmetallschäfte verwenden!

For Ø 3, 4 and 5 mm only solid carbide tool shanks must be used!

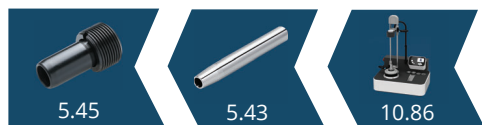
Pour Ø 3, 4 et 5 mm il faut seulement utiliser de queues d'outils carbures de type HM!

Hinweis: Aufnahme für Induktiv-, Kontakt- und Heißluftschumpfergeräte geeignet.
Schafttoleranz bei Ø 3, 4 und 5 mm = h₄, bei Ø 6 – Ø 32 mm = h₆

Note: Toolholders suitable for induction-, contact- and hot air shrink units.
Ø 3, 4, 5 with h₄-tolerance and Ø 6 – Ø 32 with h₆-tolerance

Observation: Porte-outils convenables pour machines à fretter par induction, par contact, ou par air chaud.
Ø 3, 4, 5 avec h₄-tolerance et Ø 6 – Ø 32 avec h₆-tolerance

l₁ = max. Einstecktiefe l₂ = max. Verstellweg
l₁ = max. clamping depth l₂ = max. length adjustment range
l₁ = max. profondeur d'insertion l₂ = max. course de réglage





Shrink chucks 4,5° for mounting of solid carbide and HSS-tool shanks

Mandrins de frettage 4,5° pour le serrage de queues d'outils carbures de type HM et HSS

**Verwendung:**

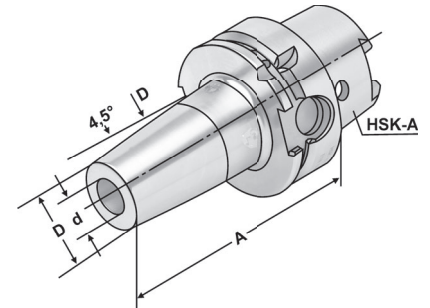
Zur Aufnahme von Werkzeugen mit Zylinderschaft.

Application:

For mounting straight-shank tools.

Application:

Pour le serrage d'outils avec queue cylindrique.

ISO 12164-1
(DIN 69893-1)

HSK - A

 $\nabla \leq 0,003$ G2,5
25.000 min⁻¹

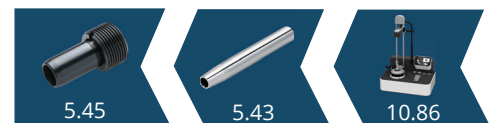
5

Bestell-Nr. Order no. Référence	HSK	d	A	D	D ₁	l ₁	l ₂
A80.70.04	HSK-A 80	4	80	14	22	20	5
A80.70.06	HSK-A 80	6	85	21	27	36	10
A80.70.08	HSK-A 80	8	85	21	27	36	10
A80.70.10	HSK-A 80	10	90	24	32	42	10
A80.70.12	HSK-A 80	12	95	24	32	47	10
A80.70.14	HSK-A 80	14	95	27	34	47	10
A80.70.16	HSK-A 80	16	100	27	34	50	10
A80.70.18	HSK-A 80	18	100	33	42	50	10
A80.70.20	HSK-A 80	20	105	33	42	52	10
A80.70.25	HSK-A 80	25	115	44	53	58	10
A80.70.32	HSK-A 80	32	120	44	53	61	10
A80.70.06.1	HSK-A 80	6	120	21	27	36	10
A80.70.08.1	HSK-A 80	8	120	21	27	36	10
A80.70.10.1	HSK-A 80	10	120	24	32	41	10
A80.70.12.1	HSK-A 80	12	120	24	32	47	10
A80.70.14.1	HSK-A 80	14	120	27	34	47	10
A80.70.06.2	HSK-A 80	6	160	21	27	36	10
A80.70.08.2	HSK-A 80	8	160	21	27	36	10
A80.70.10.2	HSK-A 80	10	160	24	32	41	10
A80.70.12.2	HSK-A 80	12	160	24	32	47	10
A80.70.14.2	HSK-A 80	14	160	27	34	47	10
A80.70.16.2	HSK-A 80	16	160	27	34	50	10
A80.70.18.2	HSK-A 80	18	160	33	42	50	10
A80.70.20.2	HSK-A 80	20	160	33	42	52	10
A80.70.25.2	HSK-A 80	25	160	44	53	58	10

Für Ø 3, 4 und 5 mm nur Hartmetallschäfte verwenden!

For Ø 3, 4 and 5 mm only solid carbide tool shanks must be used!

Pour Ø 3, 4 et 5 mm il faut seulement utiliser de queues d'outils carbures de type HM!

Hinweis: Aufnahme für Induktiv-, Kontakt- und Heißluftschumpfgeräte geeignet.
Schafttoleranz bei Ø 3, 4 und 5 mm = h₄, bei Ø 6 - Ø 32 mm = h₆**Note:** Toolholders suitable for induction-, contact- and hot air shrink units.
Ø 3, 4, 5 with h₄-tolerance and Ø 6 - Ø 32 with h₆-tolerance**Observation:** Porte-outils convenables pour machines à fretter par induction,
par contact, ou par air chaud.
Ø 3, 4, 5 avec h₄-tolerance et Ø 6 - Ø 32 avec h₆-tolerancel₁ = max. Einstecktiefel₁ = max. clamping depthl₁ = max. profondeur d'insertionl₂ = max. Verstellwegl₂ = max. length adjustment rangel₂ = max. course de réglage

Shrink chucks 4,5° for mounting of solid carbide and HSS-tool shanks

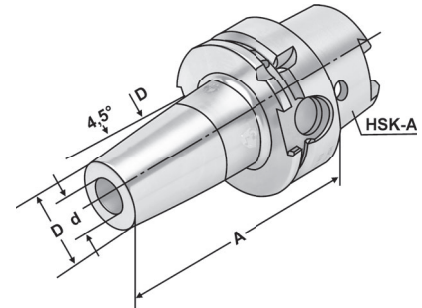
Mandrins de frettage 4,5° pour le serrage de queues d'outils carbures de type HM et HSS



Verwendung:
Zur Aufnahme von Werkzeugen mit
Zylinderschaft.

Application:
For mounting straight-shank tools.

Application:
Pour le serrage d'outils avec queue
cylindrique.



ISO 12164-1
(DIN 69893-1)

HSK - A

$\nabla \leq 0,003$

G2,5
25.000 min⁻¹

Bestell-Nr. Order no. Référence	HSK	d	A	D	D ₁	l ₁	l ₂
A100.70.04	HSK-A 100	4	85	14	22	20	5
A100.70.05	HSK-A 100	5	85	16	22	20	5
A100.70.06	HSK-A 100	6	85	21	27	36	10
A100.70.08	HSK-A 100	8	85	21	27	36	10
A100.70.10	HSK-A 100	10	90	24	32	42	10
A100.70.12	HSK-A 100	12	95	24	32	47	10
A100.70.14	HSK-A 100	14	95	27	34	47	10
A100.70.16	HSK-A 100	16	100	27	34	50	10
A100.70.18	HSK-A 100	18	100	33	42	50	10
A100.70.20	HSK-A 100	20	105	33	42	52	10
A100.70.25	HSK-A 100	25	120	44	53	56	10
A100.70.32	HSK-A 100	32	120	44	53	62	10
A100.70.40	HSK-A 100	40	150	78	90	90	10
A100.70.50	HSK-A 100	50	150	78	90	90	10
A100.70.06.1	HSK-A 100	6	120	21	27	36	10
A100.70.08.1	HSK-A 100	8	120	21	27	36	10
A100.70.10.1	HSK-A 100	10	120	24	32	41	10
A100.70.12.1	HSK-A 100	12	120	24	32	47	10
A100.70.14.1	HSK-A 100	14	120	27	34	47	10
A100.70.16.1	HSK-A 100	16	120	27	34	50	10
A100.70.18.1	HSK-A 100	18	120	33	42	50	10
A100.70.20.1	HSK-A 100	20	120	33	42	52	10
A100.70.06.2	HSK-A 100	6	160	21	27	36	10
A100.70.08.2	HSK-A 100	8	160	21	27	36	10
A100.70.10.2	HSK-A 100	10	160	24	32	41	10
A100.70.12.2	HSK-A 100	12	160	24	32	47	10
A100.70.14.2	HSK-A 100	14	160	27	34	47	10
A100.70.16.2	HSK-A 100	16	160	27	34	50	10
A100.70.18.2	HSK-A 100	18	160	33	42	50	10
A100.70.20.2	HSK-A 100	20	160	33	42	52	10
A100.70.25.2	HSK-A 100	25	160	44	53	58	10
A100.70.32.2	HSK-A 100	32	160	44	53	62	10

Hinweis: Aufnahme für Induktiv-, Kontakt- und Heißluftschumpfgeräte geeignet.

Note: Toolholders suitable for induction-, contact- and hot air shrink units.

Observation: Porte-outils convenables pour machines à fretter par induction, par contact, ou par air chaud.

l₁ = max. Einstecktiefe

l₁ = max. clamping depth

l₁ = max. profondeur d'insertion

l₂ = max. Verstellweg

l₂ = max. length adjustment range

l₂ = max. course de réglage



Shrink chucks 4,5° for mounting of solid carbide and HSS-tool shanks

Mandrins de frettage 4,5° pour le serrage de queues d'outils carbures de type HM et HSS

**Verwendung:**

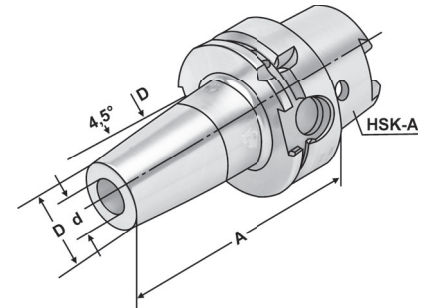
Zur Aufnahme von Werkzeugen mit Zylinderschaft.

Application:

For mounting straight-shank tools.

Application:

Pour le serrage d'outils avec queue cylindrique.

ISO 12164-1
(DIN 69893-1)

HSK - A

 $\nabla \leq 0,003$ G2,5
25.000 min⁻¹

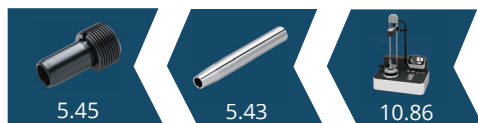
5

Bestell-Nr. Order no. Référence	HSK	d	A	D	D ₁	l ₁	l ₂
A100.70.06.3	HSK-A 100	6	200	21	27	36	10
A100.70.08.3	HSK-A 100	8	200	21	27	36	10
A100.70.10.3	HSK-A 100	10	200	24	32	41	10
A100.70.12.3	HSK-A 100	12	200	24	32	47	10
A100.70.14.3	HSK-A 100	14	200	27	34	47	10
A100.70.16.3	HSK-A 100	16	200	27	34	50	10
A100.70.18.3	HSK-A 100	18	200	33	42	50	10
A100.70.20.3	HSK-A 100	20	200	33	42	52	10
A100.70.25.3	HSK-A 100	25	200	44	53	58	10
A100.70.32.3	HSK-A 100	32	200	44	53	62	10
A100.70.06.4	HSK-A 100	6	250	21	27	36	10
A100.70.08.4	HSK-A 100	8	250	21	27	36	10
A100.70.10.4	HSK-A 100	10	250	24	32	41	10
A100.70.12.4	HSK-A 100	12	250	24	32	47	10
A100.70.14.4	HSK-A 100	14	250	27	34	47	10
A100.70.16.4	HSK-A 100	16	250	27	34	50	10

Hinweis: Aufnahme für Induktiv-, Kontakt- und Heißluftschumpfgeräte geeignet.
Schafttoleranz bei Ø 3, 4 und 5 mm = h₄, bei Ø 6 – Ø 32 mm = h₆

Note: Toolholders suitable for induction-, contact- and hot air shrink units.
Ø 3, 4, 5 with h₄-tolerance and Ø 6 – Ø 32 with h₆-tolerance

Observation: Porte-outils convenables pour machines à fretter par induction,
par contact, ou par air chaud.
Ø 3, 4, 5 avec h₄-tolerance et Ø 6 – Ø 32 avec h₆-tolerance

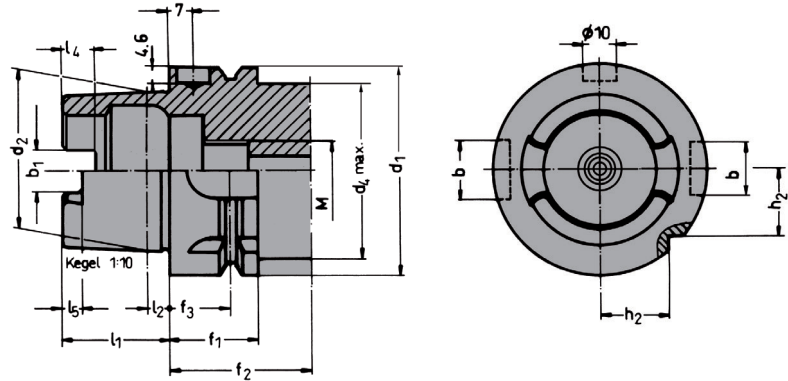
l₁ = max. Einstecktiefel₁ = max. clamping depthl₁ = max. profondeur d'insertionl₂ = max. Verstellwegl₂ = max. length adjustment rangel₂ = max. course de réglage



Vorgewuchtet
Pre-balanced
Pré-équilibré

G 6,3 15.000 min⁻¹

G 2,5 Feinwuchten gegen Aufpreis
G 2.5 Fine balancing at extra charge
G 2,5 Equilibrage fin contre un supplément



d ₁	d ₂	d ₄	l ₁	l ₂	l ₄	l ₅	M	f ₁	f ₂	f ₃	b ₁	b ₂	b ₃
32	24	26	16	3,2	5,0	3,0	M10 × 1	20	35	16	7,05	7	9
40	30	34	20	4,0	6,0	3,5	M12 × 1	20	35	16	8,05	9	11
50	38	42	25	5,0	7,5	4,5	M16 × 1	26	42	18	10,54	12	14
63	48	53	32	6,3	10,0	6,0	M18 × 1	26	42	18	12,54	16	18
80	60	67	40	8,0	12,0	8,0	M20 × 1,5	26	42	18	16,04	18	20
100	75	85	50	10,0	15,0	10,0	M24 × 1,5	29	45	20	20,02	22	20

Werkstoff: Legierter Einsatzstahl mit einer Zugfestigkeit im Kern von min. 800 N / mm². Einsatzgehärtet HRC 60 ± 2 (HV 700 ± 50), Härtetiefe 0,8 mm ± 0,2 mm, brüniert und präzisionsgeschliffen.

Material: Alloyed case-hardened steel, tensile core strength of min. 800 N / mm². Case hardened HRC 60 ± 2 (HV 700 ± 50), hardening depth 0.8 mm ± 0.2 mm, black-finished and precisely grinded.

Matière: Acier de cémentation allié. Résistance à la traction dans le noyau de min 800 N / mm². Cémentation à HRC 60 ± 2 (HV 700 ± 50), profondeur de cémentation 0,8 mm ± 0,2 mm, bruni et rectifié précisément.



HSK-toolholders DIN 69893

The hollow taper shank (HSK) has prevailed since its standardization as an interface between machine and tool.

HSK benefits to the user include:

- High static and dynamic rigidity
- High precision axial and radial reproducibility
- High tool change accuracy and repeatability
- High speed machining performance
- Short tool changing times
- Coding and identification
- Coolant feed

Balancing recommendations and r.p.m. limits

Kemmler HSK-toolholders are generally pre-balanced to G 6.3/15,000 rev./min.

Fine balancing on request is possible.

Because the rotational speed is the largest influencing factor together with the limits regarding the spindle or spindle bearing interface, the following r.p.m. limits for HSK interfaces have been recommended as guidelines within the HSK standards:

HSK-A/C 32 to 30,000 rev./min

HSK-A/C 40 to 30,000 rev./min

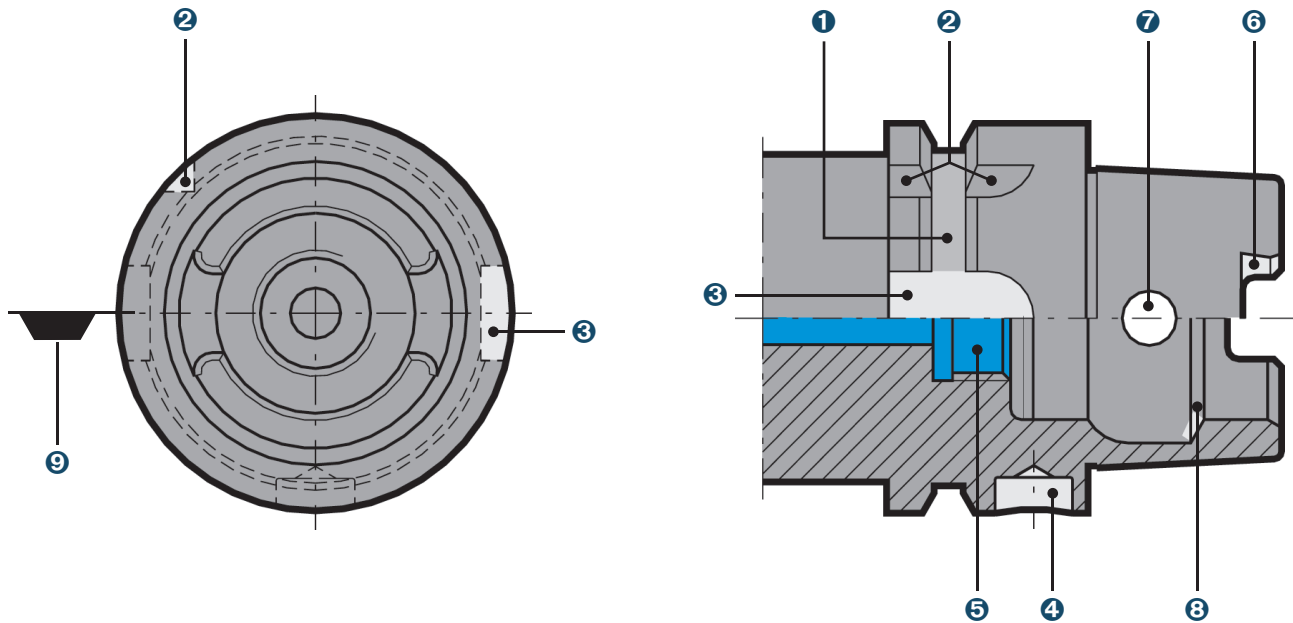
HSK-A/C 50 to 30,000 rev./min

HSK-A/C 63 to 25,000 rev./min

HSK-A/C 80 to 20,000 rev./min

HSK-A/C 100 to 16,000 rev./min

Depending on the tool, it may be necessary to balance both the tool holder and tool when applying the maximum r.p.m. Exact limits can only be determined if machine and spindle manufacturers are taken into consideration and it is possible to define tools and projecting lengths.



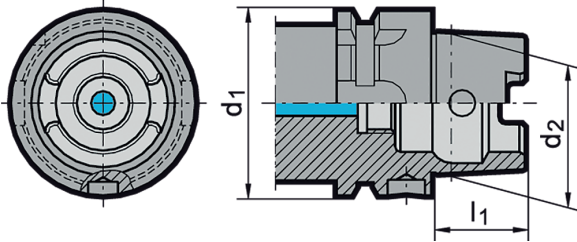
Term definitions of HSK-A interface for automatic tooling systems

- ❶ Gripper groove: circular groove
- ❷ Index notch: sickle-shaped notch across gripper groove
- ❸ Keyway on collar:
index notch or for attachment in tool magazine or grippers.
With HSK-B/D also provides form closed torque transmission to spindle.
- ❹ Coding/identification:
bore in collar for attachment of identification system (coding chip)
- ❺ Thread for coolant: for attachment of coolant supply set
- ❻ Keyway on taper shank: form closed torque transmission to spindle
- ❼ Radial bore in taper shank: necessary for manual clamping systems
- ❽ Clamping shoulder: circular chamfer for drawing in the tool
- ❾ Position of the tool edge of single-edged tools



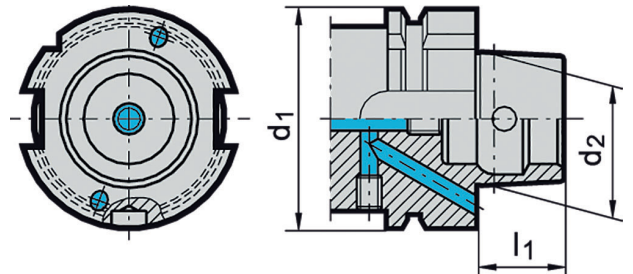
DIN 69063-1 (ISO 12164-1) Form A

Standard type for machining centres and milling machines. HSK for automatic tool change with gripper groove and index notch. Manual operation is via access hole in taper. Form B relies on driving dogs on the joint face as shank isn't slotted. Torque is transmitted through highly accurate connection.



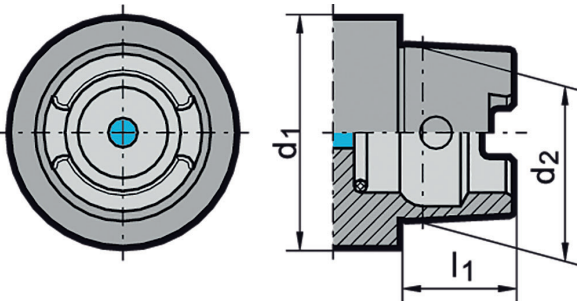
DIN 69063-2 (ISO 12164-1) Form B

For machining centres, milling and turning machines. With enlarged flange size for rigid machining. For automatic tool change. Coolant supply through the flange. Drive keys at the flange. Hole for data carrier DIN STD 69873 at the flange.



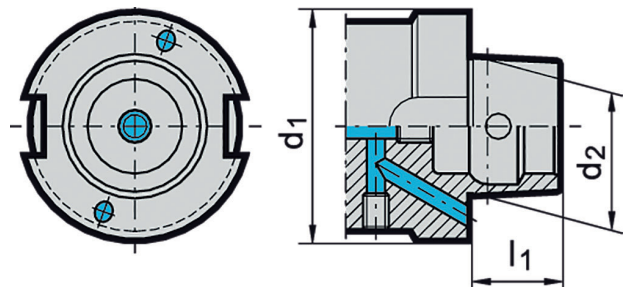
DIN 69063-1 (ISO 12164-1) Form C

For transfer lines, special machines and modular tooling systems. HSK for manual tool change. Operation is via access hole in taper. Form D relies on driving dogs on the joint face as shank isn't slotted. Torque is transmitted through highly accurate connection.



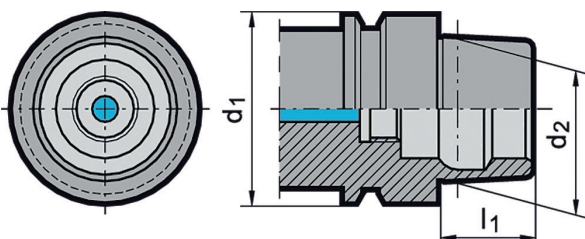
DIN 69063-2 (ISO 12164-2) Form D

For special machines. With enlarged flange size for rigid machining. For manual tool change. Coolant supply through the flange. Drive keys at the flange.



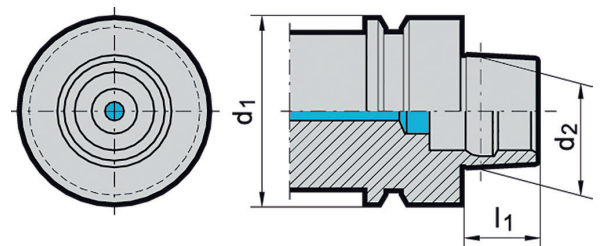
DIN 69063-5 Form E

For high-speed applications. For automatic tool change. HSK for automatic tool change. Torque is transmitted through highly accurate connection. Version with access hole acc. to DIN 69893-1 by arrangement.



DIN 69063-6 Form F

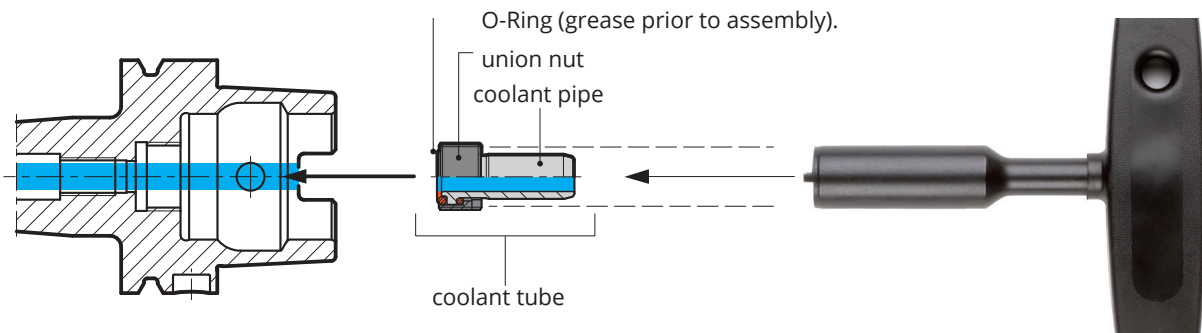
For high-speed applications mainly in woodworking industries. HSK for automatic tool change. Torque is transmitted through highly accurate connection. Version with access hole acc. to DIN 69893-1 by arrangement.





HSK form A, -B or -D holders must be equipped with a coolant tube.
 Using holders without a coolant tube could cause unseen machine spindle damage.
 DIN 69893 Form C, -E and -F do not require a coolant tube. Through coolant and sealing functions are provided by the locking unit.
 The coolant tube is ideally mounted in vertical direction – from the bottom to the top. In this manner the sealing ring is prevented from being compressed during location which would cause the loss of its sealing function.

After mounting, the coolant pipe can be moved only to a minimum degree according to DIN ($\pm 1^\circ$).



Installation

1. The HSK holder must be clean, free of swarf and undamaged.
2. Grease the O-rings prior to assembly.
3. Centrally insert the complete coolant tube (coolant pipe, union nut and 2 O-rings) in the HSK with the assistance of the socket spanner.
4. Screw in the coolant tube and tighten (see table for torque figures)
5. Check coolant pipe for radial mobility.

Torque figures

for HSK	Mt (Nm)
32	7
40	11
50	15
63	20
80	25
100	30

