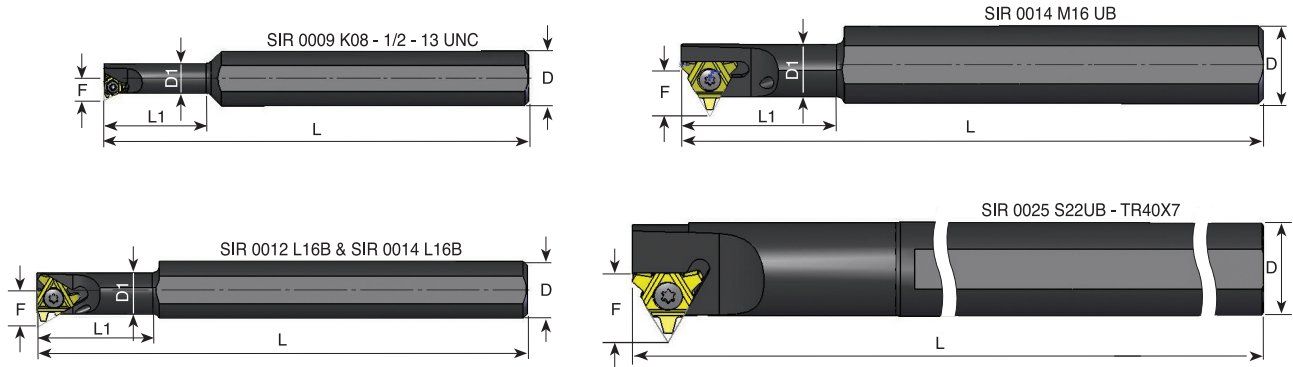



## Special Thread Turning Applications



Ordering Code Right Hand		D	D1	L	L1	F	Thread	Insert Screw	Torx Key
<b>*SIR 0009 K08</b>	8	16	8.7	125	30	6.5	<b>1/2 - 13UNC</b>	S08	K08
<b>SIR 0012 L16B</b>	16	20	11.5	140	33	10.5	<b>TR18x4</b>	S16S	K16
<b>SIR 0014 L16B</b>	16	20	12.5	140	36	21.1	<b>TR20x4</b>	S16S	K16
<b>SIR 0014 M16UB</b>	16	20	13.5	150	40	13.2	<b>TR22x5</b>	S16S	K16
<b>SIR 0025 S22UB</b>	22	25	-	250		19.5	<b>TR40x7</b>	S22S	K22

For LH holders call CPT

\* Only right hand available

## Product Identification

### Threading Toolholders Ordering Codes

