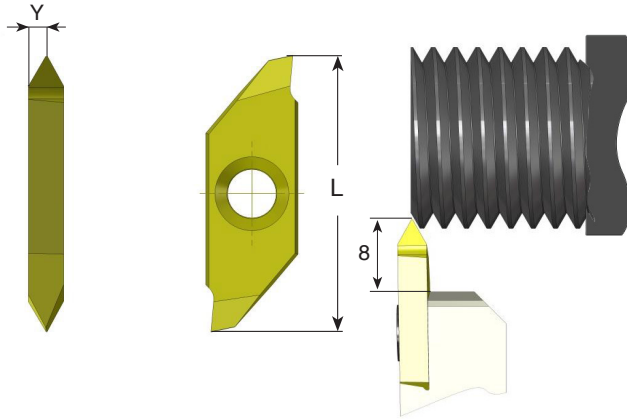


## Threading - Partial Profile 60°



Right Version

### Right hand cutting

Insert Size L	Ordering Code	Pitch Range		Y
		mm	TPI	
25	<b>GT25 R A60</b>	0.25-0.8	100-32	0.7
	<b>GT25 R G60</b>	1.0-3.0	24-8	1.6

	K20	BLU
P		●
M	●	●
K	●	○
N	●	
S	●	●
H		≤45 HRc

For L.H, specify GT25 L instead of GT25 R

## Threading - Partial Profile 55°

### Right hand cutting

Insert Size L	Ordering Code	Pitch Range		Y
		mm	TPI	
25	<b>GT25 R A55</b>	0.5-1.5	48-16	1.0
	<b>GT25 R G55</b>	1.75-3.0	14-8	1.6

	K20	BLU
P		●
M	●	●
K	●	○
N	●	
S	●	●
H		≤45 HRc

For L.H, specify GT25 L instead of GT25 R

● First choice    ○ Alternative

## Swiss-Line

- Swiss style lathes are becoming a popular alternative to large lathes and machining centers in many companies.
- CPT offers a large and versatile product line of inserts and toolholders, developed for automatic and Swiss style lathes.
- Designed for economic production of parting, grooving, profiling threading and chamfering.

## Polygon Inserts and Toolholders

**CPT extends the Swiss Line range by offering a new type of polygon inserts and toolholders for external turning, grooving, parting and threading on Swiss-Type machines. Specially designed for small parts machining.**



### Features

- High precision ground inserts.
- All inserts can be used with same toolholders.
- A combination of the latest carbide and coating technologies guarantees maximum tool life and improved productivity.
- Compatible with a wide range of materials.
- Coated holders provide abrasive resistance.

Carbide grades: BLU, GX7, K20

# Product Identification - Ordering Codes

## Polygon Inserts

