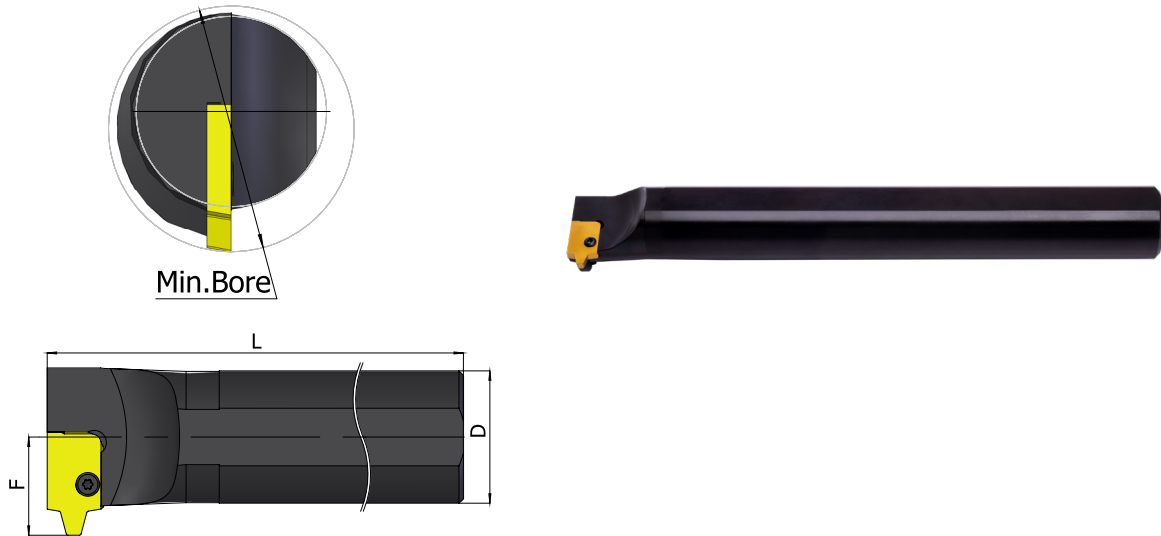


Internal Holders



Pitch Range (mm) 14, 16, 18 Ordering Code		D	Min Bore Diam.	L	F	Insert Screw	Torx Screw	Holder No.
IN-RH	SIR 0050 V40	50	70	400	37	S40	K40	H7
IN-LH	SIL 0050 V40	50	70	400	37	S40	K40	H8

Pitch Range (mm) 20, 22, 24 Ordering Code		D	Min Bore Diam.	L	F	Insert Screw	Side Screw	Torx Screw	Holder No.
IN-RH	SIR 0050 V40T	50	70	400	37	S40	A27	K40	H9
IN-LH	SIL 0050 V40T	50	70	400	37	S40	A27	K40	H10

Product Identification

Threading Toolholders Ordering Codes

