

MTS Dental

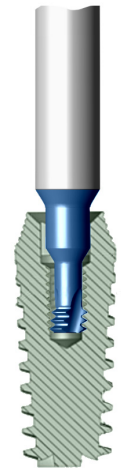
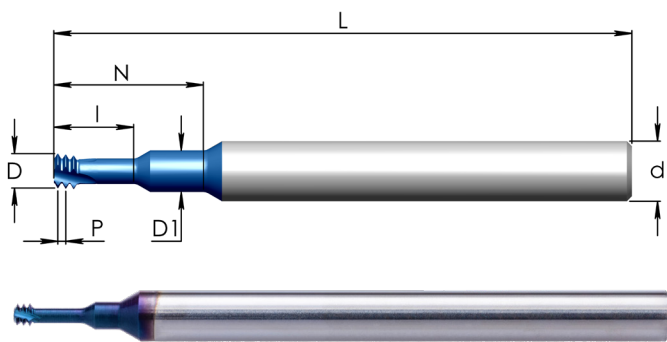
Thread Mills for the Dental Implants Industry

Specially designed geometry with long overhang providing improved machining and very high thread accuracy along with extended tool life.

Carbide grade: MT11 Ultra-fine Sub-micron grade with advanced PVD triple blue coating.

ISO

Tools for Internal Thread



Grade	P	M	K	N	S	H
MT11	●	●	●	○	●	≤62 HRc

Pitch mm	M Coarse	Ordering Code	d	D	D1	No. of Flutes	I	N	L
0.25	M1.2	MTS 03009 C3 0.25 ISO-N4	3	0.90	1.25	3	3.0	4.7	39
0.3	M1.4	MTS 03011 C4 0.3 ISO-N7	3	1.05	1.40	3	4.0	7.2	39
0.35	M1.6,M1.8	MTS 03012 C5 0.35 ISO-N8	3	1.20	1.40	3	4.8	8.6	39
0.4	M2	MTS 03016 C4 0.4 ISO-N8	3	1.53	1.90	3	4.6	8.6	39

Order example: MTS 03011 C4 0.3 ISO-N7 MT11

UN

Tools for Internal Thread

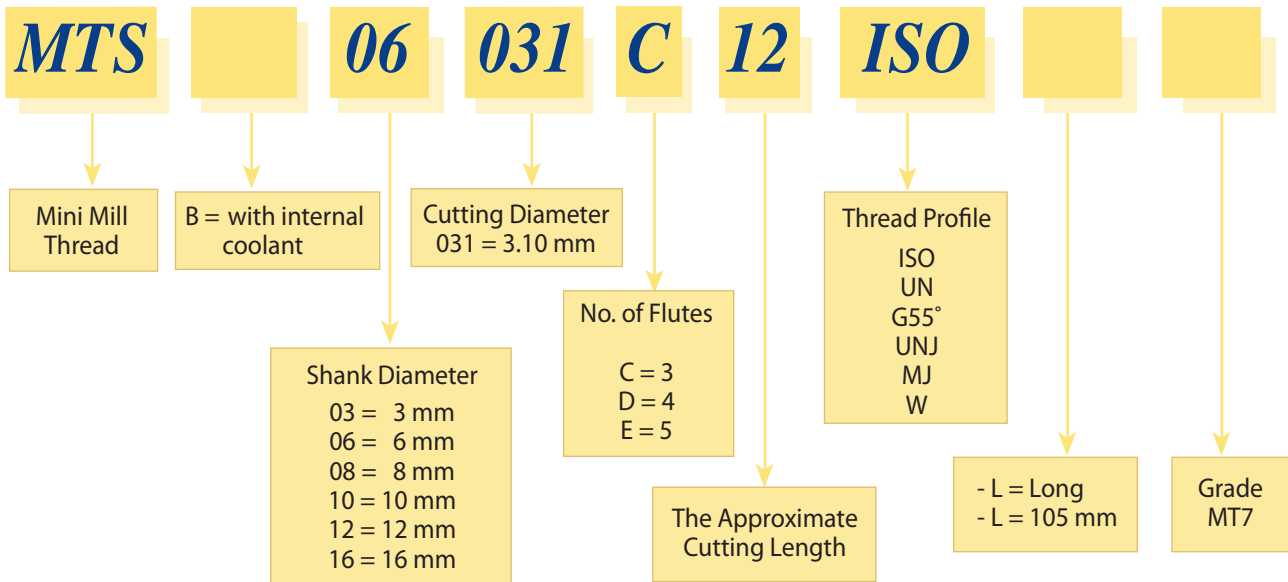
Grade	P	M	K	N	S	H
MT11	●	●	●	○	●	≤62 HRc

Pitch TPI	UNF	Ordering Code	d	D	D1	No. of Flutes	I	N	L
80	0	MTS 03012 C3 80 UN-N5	3	1.15	1.35	3	3.1	5.6	39
72	1	MTS 03015 C4 72 UN-N5	3	1.45	1.65	3	3.7	5.9	39
72	1	MTS 03015 C4 72 UN-N10	3	1.45	1.65	3	3.7	10.0	39
72	1	MTS 03015 C4 72 UN-N15	3	1.45	1.65	3	3.7	15.0	39

Order example: MTS 03012 C3 80 UN-N5 MT11

Product Identification

Mini Mill-Thread MTS Ordering Codes



Mini Mill-Thread MTI and FMTI Ordering Codes

